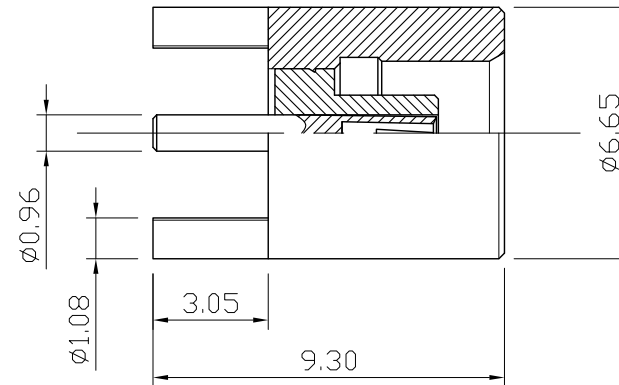
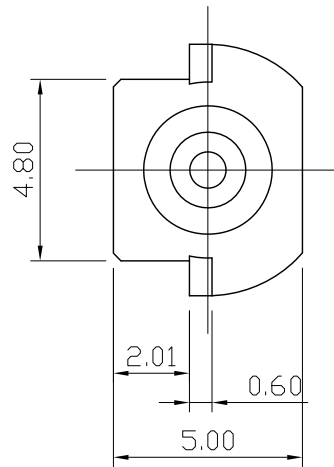



REMARK : RoHS REQUIREMENT APPLIED  
(符合RoHS)



S 1 : 1

-						DIMENSIONS ARE IN MILLIMETERS  UNLESS OTHERWISE PECIFIED TOLERANCES (一般公差) 0.5~6 = ±0.2 >6~30 = ±0.4 >30~120 = ±0.6 >120~315 = ±1 >315~1000 = ±1.6 ANGLES(角度) = ±5°	CHECKED	 雅鈦企業有限公司 Aec Connectors Co., Ltd.
-					DRAWN <i>Jim</i>			
-							DATE 2011. 09. 22	
-	insulator	1	PTFE	white			FILE NO. DRAWING\RFMC\MC-1015GTG-SA0025	
-	contact pin	1	beryllium copper	gold				
-	body	1	brass	gold				
NO.	Description	Unit	Materials	Finish	Drawing No.	SCALE 5 : 1 UNIT MM		