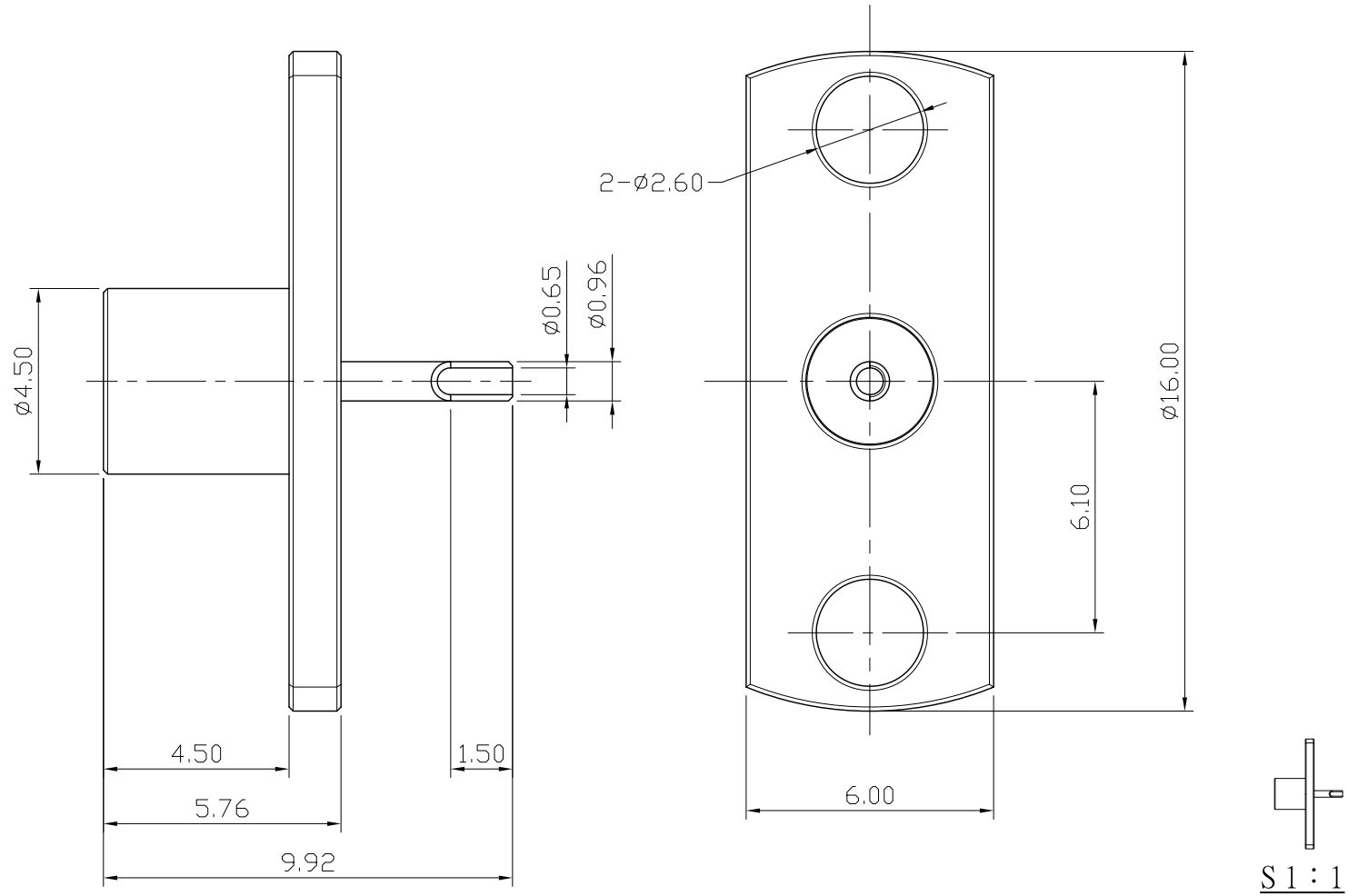



No.	DATE	DESCRIPTION	REV	REMARK : RoHS REQUIREMENT APPLIED (符合RoHS)	DATE	DRAWING NO.
-----	------	-------------	-----	---	------	-------------



-						DIMENSIONS ARE IN MILLIMETERS	CHECKED	 雅鈦企業有限公司 Aec Connectors Co., Ltd.
-								
-						0.5~6 = ±0.2	DRAWN <i>Wing</i>	TITLE MCX 2 HOLE FLANGE JACK SOLDER POT CONTACT
-	contact pin	1	beryllium copper	gold		>6~30 = ±0.4		DATE
-	insulator	1	teflon	white		>30~120 = ±0.6	2009. 12. 16	DRAWING NO.
-	body	1	brass	gold		>120~315 = ±1		FILE NO. DRAWING\RFMCX\MC-1006GTG-SE0025
-						>315~1000 = ±1.6		
NO.	Description	Unit	Materials	Finish	Drawing No.	ANGLES(角度) = ±5°		
						SCALE 6 : 1	UNIT	MM