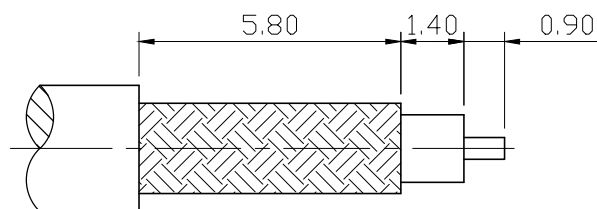
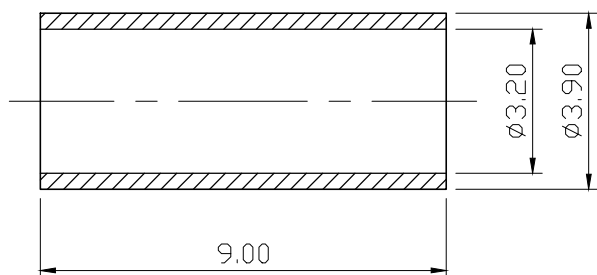


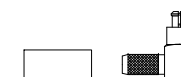
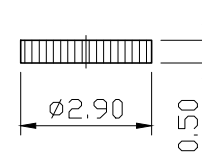
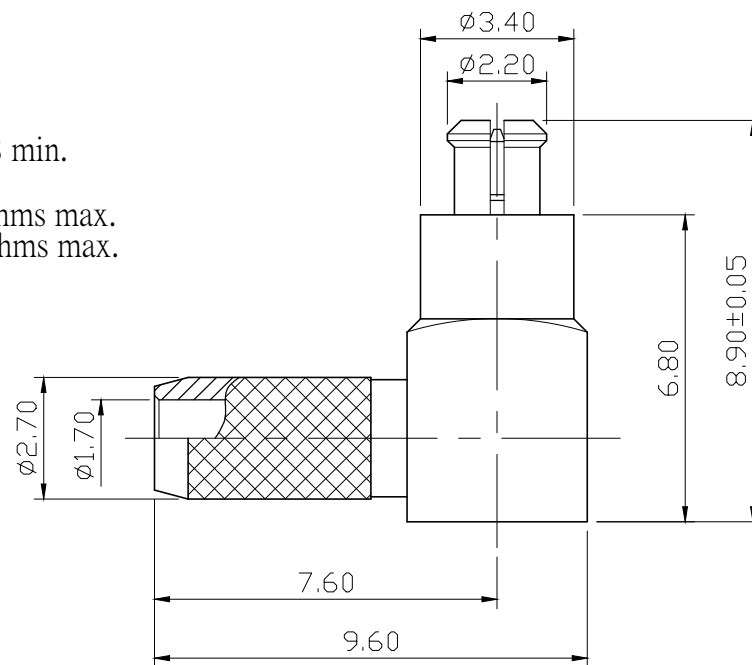
No.	DATE	DESCRIPTION	REV	REMARK : RoHS REQUIREMENT APPLIED (符合RoHS)	DATE	DRAWING NO.
-----	------	-------------	-----	-----------------------------------------------	------	-------------

Electricals:


1. Impedance: 50 ohms
2. Frequency Range: 0~6 GHz
3. Working Voltage: 100 VRMS max.
4. Dielectric Withstanding Voltage: 250 VRMS min.
5. VSWR: 1.30 max.
6. Contact Resistance: center contact : 5 Milliohms max.
outer contact : 3 Milliohms max.
7. Insulator Resistance: 500 Megohms min.



RECOMMENDED CABLE ATRIPPING DIM'S
(建議剝線尺寸)



S 1 : 1

-					DIMENSIONS ARE IN MILLIMETERS UNLESS OTHERWISE PECIFIED TOLERANCES (一般公差) 0.5~6 = ±0.2 >6~30 = ±0.4 >30~120 = ±0.6 >120~315 = ±1 >315~1000 = ±1.6 ANGLES(角度) = ±5°	CHECKED	 雅鈦企業有限公司 Aec Connectors Co., Ltd.		
-	ferrule	1	brass	nickel		DRAWN <i>Jim</i>		TITLE MC CARD R/A PLUG CRIMP FOR RG-174/U, 188/U, 316/U	
-	cover	1	brass	nickel				DATE 2010. 01. 28	DRAWING NO. MD-1001NTG-RC1715
-	body	1	brass	nickel			FILE NO. DRAWINGR\FMD\MD-1001NTG-RC1715		
-	contact pin	1	brass	gold					
-	insulator	1	PTFE	white					
-	body	1	beryllium copper	gold					
NO.	Description	Unit	Materials	Finish	Drawing No.	SCALE	6 : 1	UNIT	MM