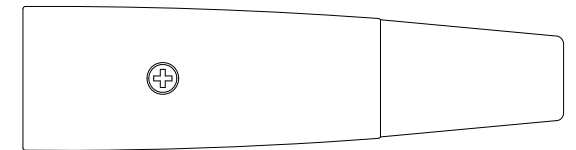
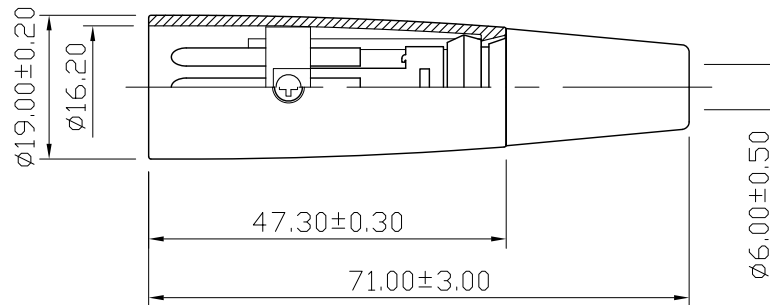
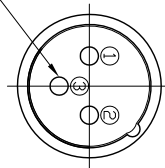



No.	DATE	DESCRIPTION	REV
△	2013. 09. 18	Drawing to renew 圖面更新	A

REMARK : RoHS REQUIREMENT APPLIED
(符合RoHS)

Ø2.40±0.10×3



S 1 : 1

-						DIMENSIONS ARE IN MILLIMETERS UNLESS OTHERWISE SPECIFIED TOLERANCES (一般公差) 0.5~6 = ±0.2 >6~30 = ±0.4 >30~120 = ±0.6 >120~315 = ±1 >315~1000 = ±1.6 ANGLES(角度) = ±5°	CHECKED	 雅鈦企業有限公司 Aec Connectors Co., Ltd.	
-	screw	1	iron	nickel	SCREW-305N-M2.6XP0.45X7.6mm		DRAWN <i>Jim</i>		TITLE MICROPHONE CONNECTOR
-	sleeve	1	PVC	black					DATE 2010. 04. 15
-	shell	1	zinc alloy	nickel				FILE NO. DRAWING\RFMIMI-101MN(ZA)BKPC-3N	
-	clip	1	brass	nickel					
-	body	1	PBT	gray					
-	contact pin	3	brass	nickel					
NO.	Description	Unit	Materials	Finish	Drawing No.	SCALE	1 : 1	UNIT	MM