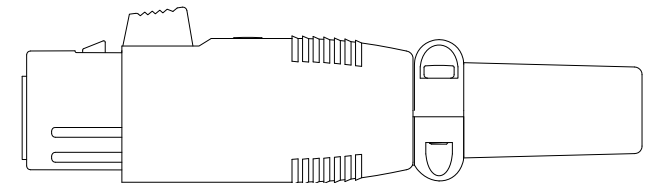
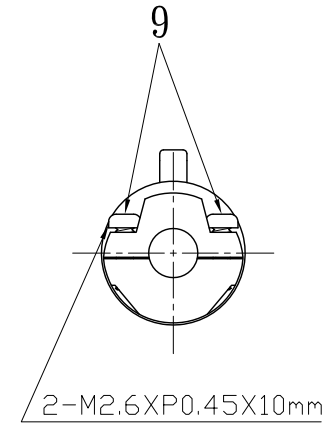
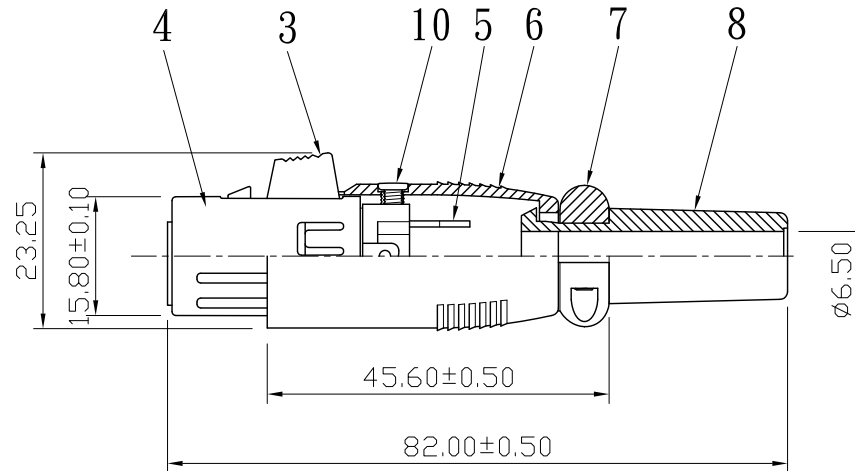
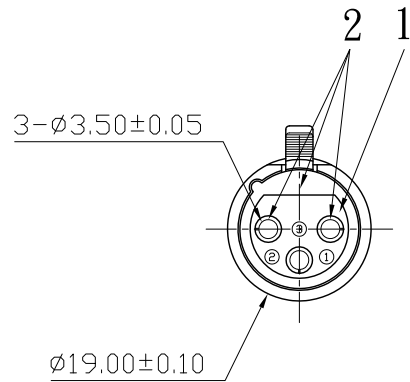


REMARK : RoHS REQUIREMENT APPLIED  
(符合RoHS)



S 1 : 1

10	screw	2	iron	nickel	SCREW-305N-M2.6XP0.45X7.0mm
9	screw	1	iron	nickel	SCREW-304N-M2.6XP0.45X10.0mm
8	housing	1	PVC	black	
7	shell	1	zinc alloy	nickel	
6	shell	1	zinc alloy	nickel	
5	tab solder	1	brass	nickel	
4	sleeve	1	brass	nickel	
3	button	1	zinc alloy	nickel	
2	contact pin	3	phosphor bronze	gold	
1	body	1	PBT+30%fiber	nickel	
NO.	Description	Unit	Materials	Finish	Drawing No.

DIMENSIONS ARE IN MILLIMETERS  
UNLESS OTHERWISE SPECIFIED  
TOLERANCES  
(一般公差)  
0.5~6 = ±0.2  
>6~30 = ±0.4  
>30~120 = ±0.6  
>120~315 = ±1  
>315~1000 = ±1.6  
ANGLES(角度) = ±5°

SCALE | 1 : 1 | UNIT | MM

CHECKED  
  
DRAWN  
*Tina*  
DATE  
2012. 12. 18

 雅鈦企業有限公司  
Aec Connectors Co., Ltd.

TITLE  
MICROPHONE CONNECTOR

DRAWING NO.  
MI-102FN(ZA)BKPC-3G(PB)

FILE NO. DRAWING/RF/MI/MI-102FN(ZA)BKPC-3G(PB)