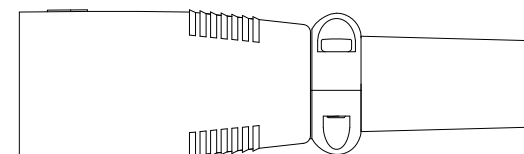
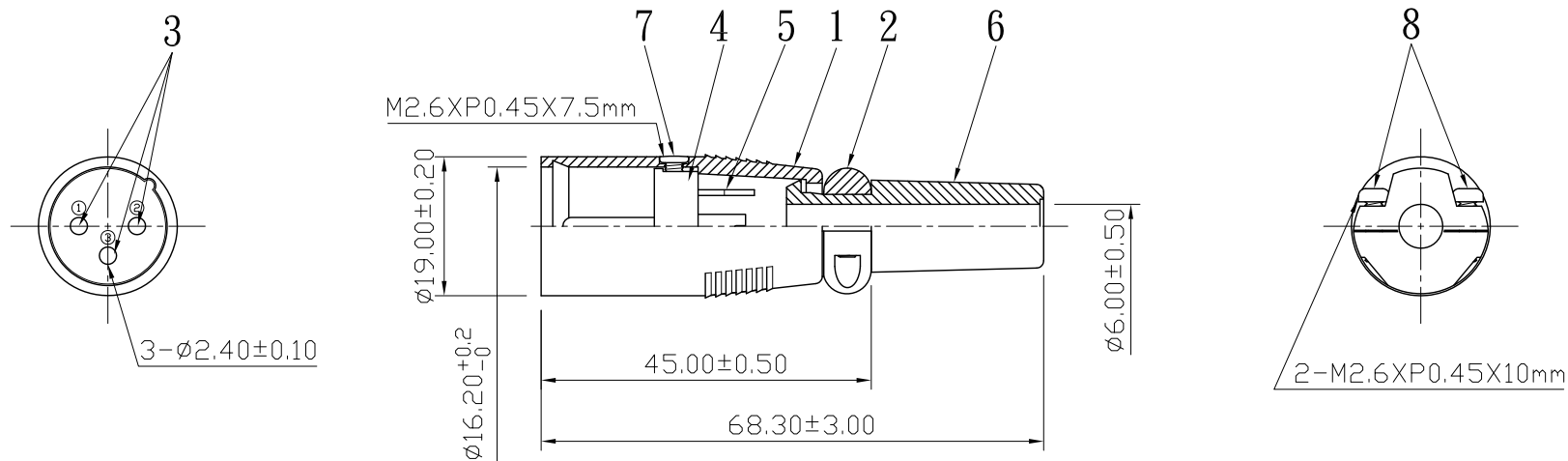



No.	DATE	DESCRIPTION	REV
△	2014. 04. 18	Drawing to renew 圖面更新	A

REMARK : RoHS REQUIREMENT APPLIED
(符合RoHS)



S 1 : 1

8	screw	2	iron	nickel	SCREW-304N-M2.6XP0.45X10.0mm
7	screw	1	iron	nickel	SCREW-305N-M2.6XP0.45X7.0mm
6	housing	1	PVC	black	
5	solder tab	1	brass	nickel	
4	body	1	PBT 30%fiber	gray	
3	contact pin	3	brass	nickel	
2	shell	1	zinc alloy	nickel	
1	shell	1	zinc alloy	nickel	
NO.	Description	Unit	Materials	Finish	Drawing No.

DIMENSIONS ARE IN MILLIMETERS UNLESS OTHERWISE PECIFIED TOLERANCES (一般公差) 0.5~6 = ±0.2 >6~30 = ±0.4 >30~120 = ±0.6 >120~315 = ±1 >315~1000 = ±1.6 ANGLES(角度) = ±5°	CHECKED	 雅鈦企業有限公司 Aec Connectors Co., Ltd.
	DRAWN <i>Jim</i>	
DATE 2007. 11. 15	DRAWING NO. MI-102MN(ZA)BKPC-3N	
SCALE 1 : 1 UNIT MM	FILE NO. DRAWING/RF/MI/MI-102MN(ZA)BKPC-3N	