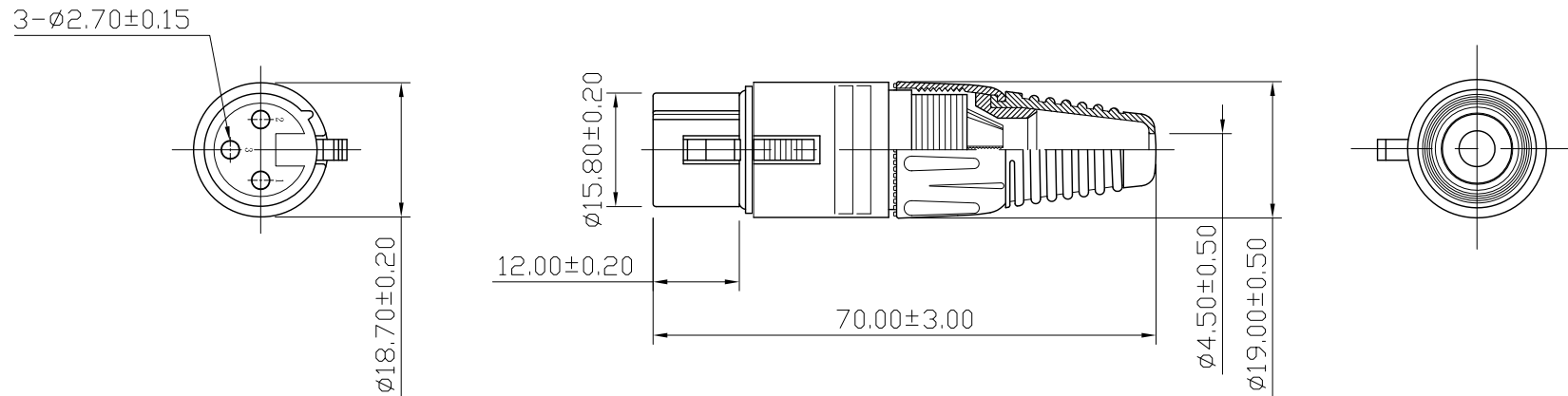


No.	DATE	DESCRIPTION	REV
△	2013. 09. 02	Drawing to renew 圖面更新	A

REMARK : RoHS REQUIREMENT APPLIED  
(符合RoHS)



-	ring	1	silicon	black	
-	ring	1	FRP	black	
-	clip	1	FRP	black	
-	contact pin	3	phosphor bronze	nickel	
-	body	1	PBT+30%fiber	black	
-	solder tab	1	SKD-5	nickel	
-	sleeve	1	TPV	black	
-	shell	1	FRP	black	
-	shell	1	zinc alloy	nickel	
-	button	1	zinc alloy	nickel	
NO.	Description	Unit	Materials	Finish	Drawing No.

DIMENSIONS ARE IN  
MILLIMETERS  
UNLESS OTHERWISE SPECIFIED  
TOLERANCES  
(一般公差)  
0.5~6 = ±0.2  
>6~30 = ±0.4  
>30~120 = ±0.6  
>120~315 = ±1  
>315~1000 = ±1.6  
ANGLES(角度) = ±5°

CHECKED

DRAWN

*Jim*

DATE

2008. 04. 08



雅鈦企業有限公司  
Aec Connectors Co., Ltd.

TITLE

MICROPHONE CONNECTOR

DRAWING NO.

MI-103FN(ZA)BKPC-3N(PB)

FILE NO. DRAWING\AUDIO\MIMI-103FN(ZA)BKPC-3N(PB)

SCALE 1 : 1 UNIT MM