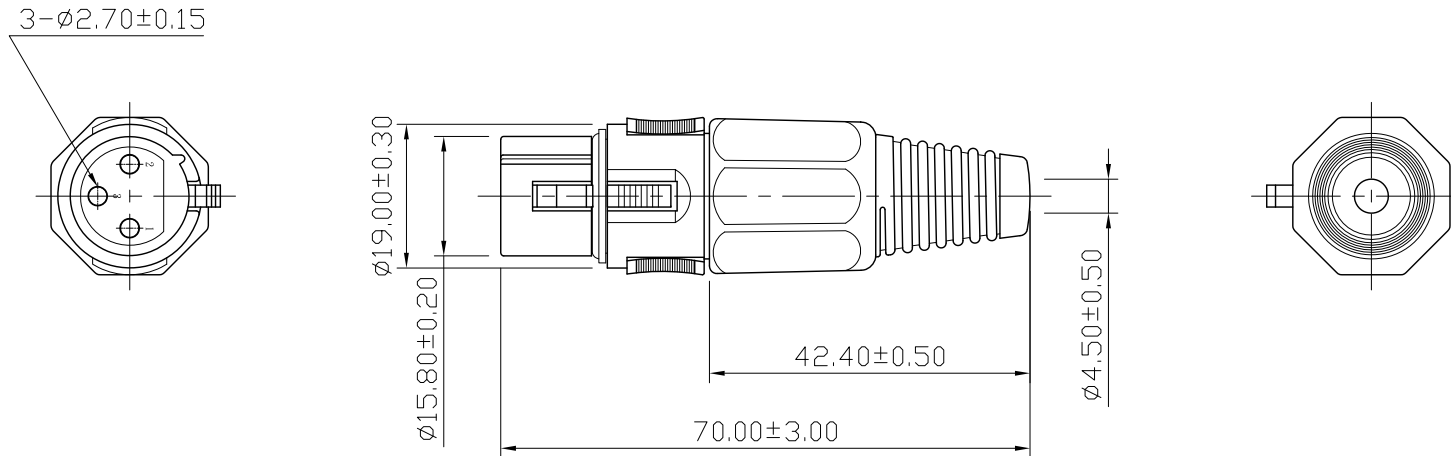


REMARK : RoHS REQUIREMENT APPLIED
(符合RoHS)



-	ring	1	silicon	black	
-	ring	1	FRP	black	
-	clip	1	FRP	black	
-	contact pin	3	phosphor bronze	nickel	
-	body	1	PBT+30%fiber	yellow	
-	solder tab	1	SKD-5	nickel	
-	sleeve	1	TPV	black	
-	shell	1	FRP	black	
-	shell	1	zinc alloy	nickel	
-	button	1	zinc alloy	nickel	
NO.	Description	Unit	Materials	Finish	Drawing No.

DIMENSIONS ARE IN MILLIMETERS			
UNLESS OTHERWISE SPECIFIED TOLERANCES (一般公差)			
0.5~6 = ±0.2			
>6~30 = ±0.4			
>30~120 = ±0.6			
>120~315 = ±1			
>315~1000 = ±1.6			
ANGLES(角度) = ±5°			
SCALE	1 : 1	UNIT	MM

CHECKED
DRAWN <i>Jim</i>
DATE 2013. 09. 04

 雅鈦企業有限公司 Aec Connectors Co., Ltd.	TITLE MICROPHONE CONNECTOR
	DRAWING NO. MI-105FN(ZA)BKPC-3N(PB)
	FILE NO. DRAWING\AUDIO\MI\MI-105FN(ZA)BKPC-3N(PB)