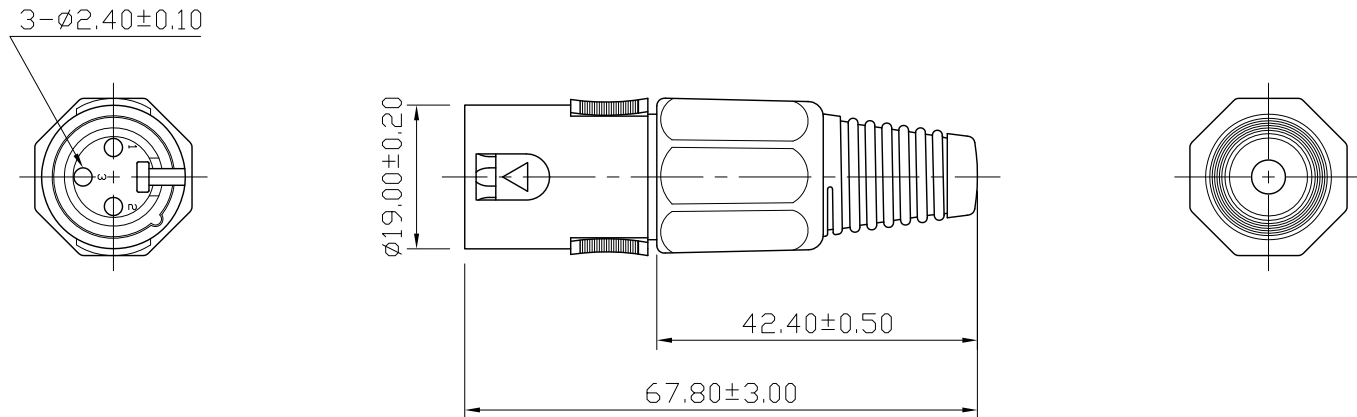


REMARK : RoHS REQUIREMENT APPLIED
(符合RoHS)



-	ring	1	FRP	black	
-	clip	1	FRP	black	
-	solder tab	1	bronze	nickel	
-	body	1	PBT+30%fiber	black	
-	contact pin	3	brass	nickel	
-	sleeve	1	TPV	black	
-	shell	1	FRP	black	
-	shell	1	zinc alloy	nickel	
NO.	Description	Unit	Materials	Finish	Drawing No.

DIMENSIONS ARE IN
MILLIMETERS

UNLESS OTHERWISE SPECIFIED
TOLERANCES
(一般公差)

0.5~6 = ±0.2
>6~30 = ±0.4
>30~120 = ±0.6
>120~315 = ±1
>315~1000 = ±1.6

ANGLES(角度) = ±5°

SCALE	1 : 1	UNIT	MM
-------	-------	------	----

CHECKED

DRAWN
Jim

DATE
2013. 09. 04



雅鈦企業有限公司
Aec Connectors Co., Ltd.

TITLE
MICROPHONE CONNECTOR

DRAWING NO.
MI-105MN(ZA)BKPC-3N(Br)

FILE NO. DRAWING\AUDIO\MIMI-105MN(ZA)BKPC-3N(Br)