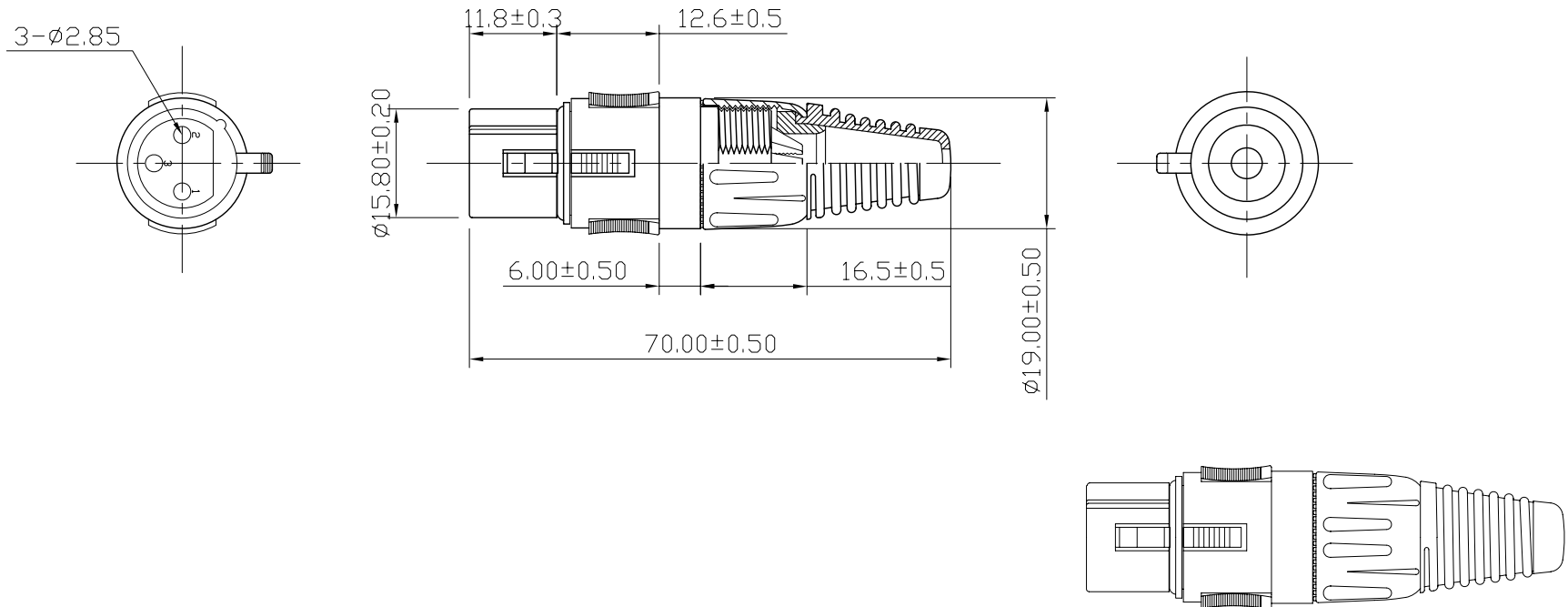


REMARK : RoHS REQUIREMENT APPLIED  
(符合RoHS)



S 1 : 1

11	ring	1	plastic	black	
10	ring	1	silicon	black	
9	ring	1	FRP	black	
8	clip	1	FRP	black	
7	contact pin	3	phosphor bronze	nickel	
6	body	1	PBT+30%fiber	yellow	
5	solder tab	1	SKD-5	nickel	
4	sleeve	1	PVC	black	
3	shell	1	FRP	black	
2	sheell	1	zinc alloy	nickel	
1	button	1	zinc alloy	nickel	
NO.	Description	Unit	Materials	Finish	Drawing No.

DIMENSIONS ARE IN MILLIMETERS			
UNLESS OTHRWISE PECIFIED TOLERANCES (一般公差)			
0.5~6	= ±0.1		
>6~30	= ±0.15		
>30~120	= ±0.2		
>120~315	= ±0.3		
>315~1000	= ±0.4		
ANGLES(角度) = ±3°			
SCALE	1 : 1	UNIT	MM

APPROVED
CHECKED
DRAWN <i>Alice</i>
DATE 2007. 10. 26

	<b>雅鈦企業有限公司</b> Aec Connectors Co., Ltd.
	TITLE MICROPHONE CONNECTOR
DRAWING NO. MI-106FN(ZA)BKPC-3N(PB)-BK	
FILE NO. DRAWINGR\FM\MI-106FN(ZA)BKPC-3N(PB)-BK	