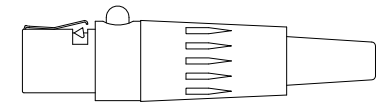
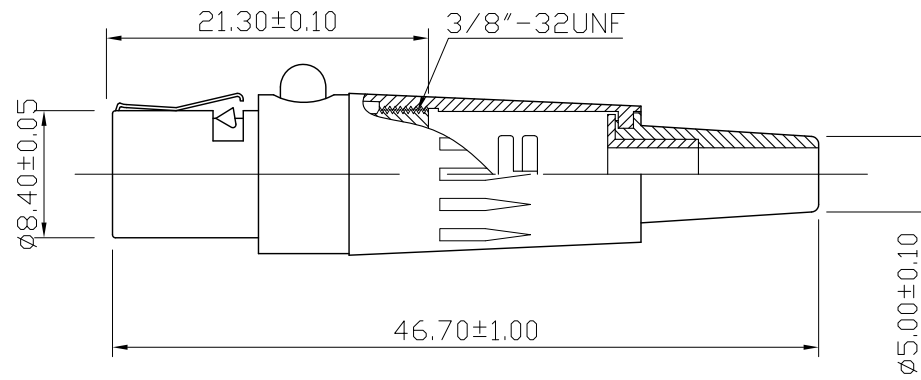
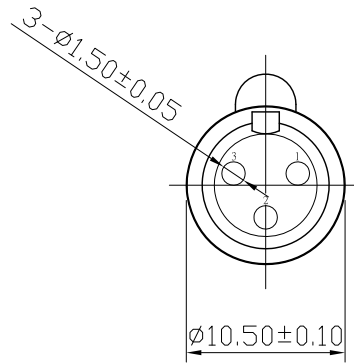


REMARK : RoHS REQUIREMENT APPLIED  
(符合RoHS)



S 1 : 1

10	ring	1	ABS	black	
9	clip	1	brass	nickel	
8	ring	1	PA66	black	
7	sleeve	1	TPV	black	
6	sleeve	1	PA66	black	
5	spring	1	SUS-304	nickel	
4	button	1	ABS	black	
3	insulator	1	PPS	black	
2	contact pin	3	phosphor bronze	gold	
1	shell	1	brass	nickel	
NO.	Description	Unit	Materials	Finish	Drawing No.

DIMENSIONS ARE IN  
MILLIMETERS  
UNLESS OTHERWISE SPECIFIED  
TOLERANCES  
(一般公差)  
0.5~6 = ±0.2  
>6~30 = ±0.4  
>30~120 = ±0.6  
>120~315 = ±1  
>315~1000 = ±1.6  
ANGLES(角度) = ±5°

CHECKED

DRAWN

*Lala*

DATE

2008. 04. 22



雅鈦企業有限公司  
Aec Connectors Co., Ltd.

TITLE

MINI-MICROPHONE CONNECTOR

DRAWING NO.

MI-107FN-BKPC-3G(PB)

FILE NO.

DRAWINGR\FM\MI-107FN-BKPC-3G(PB)

SCALE

2 : 1

UNIT

MM