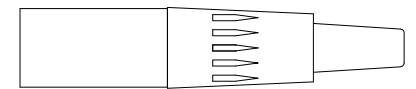
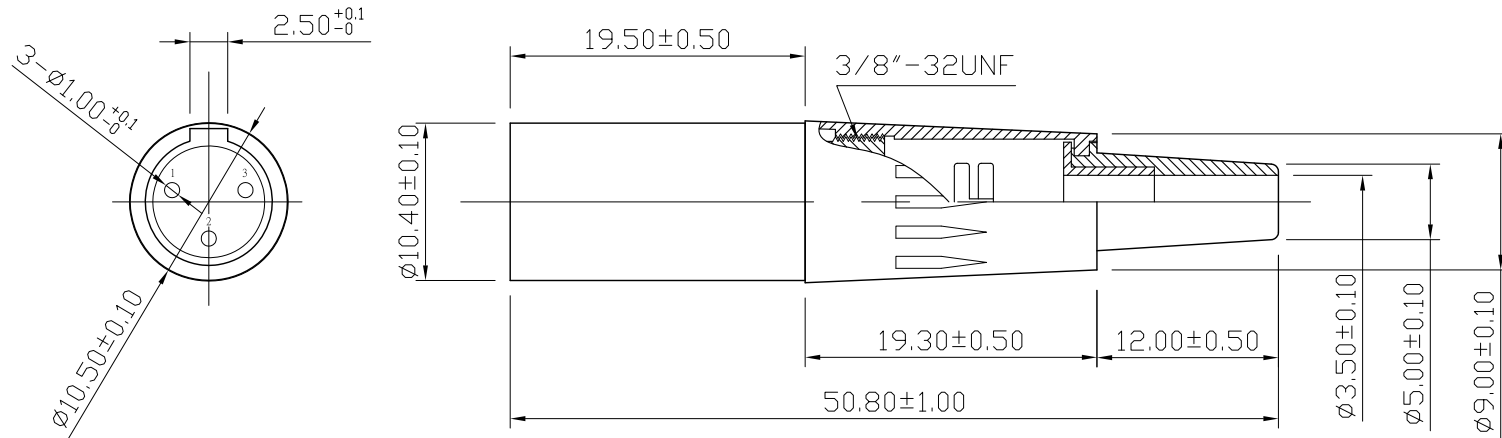


REMARK : RoHS REQUIREMENT APPLIED
(符合RoHS)



S 1 : 1

NO.	Description	Unit	Materials	Finish	Drawing No.	SCALE	2 : 1	UNIT	MM	CHECKED	DATE	FILE NO.	
8	ring	1	ABS	black									
7	clip	1	brass	nickel									
6	ring	1	PA66	black									
5	sleeve	1	TPV	black									
4	sleeve	1	PA66	black									
3	insulator	1	PPS	black									
2	contact pin	3	brass	gold									
1	shell	1	brass	nickel									
						DIMENSIONS ARE IN MILLIMETERS UNLESS OTHERWISE PECIFIED TOLERANCES (一般公差) 0.5~6 = ± 0.2 >6~30 = ± 0.4 >30~120 = ± 0.6 >120~315 = ± 1 >315~1000 = ± 1.6 ANGLES(角度) = $\pm 5^\circ$				DRAWN <i>Lala</i>		TITLE MINI-MICROPHONE CONNECTOR	
						CHECKED DATE 2008. 04. 23				DRAWING NO. MI-107MN-BKPC-3G			
										DRAWINGRFRMIMI-107MN-BKPC-3G			

 雅鈦企業有限公司
Aec Connectors Co., Ltd.