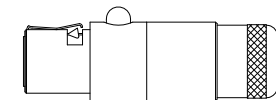
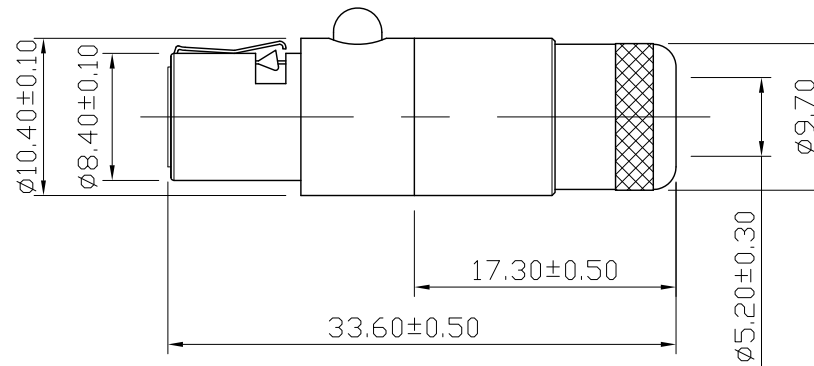
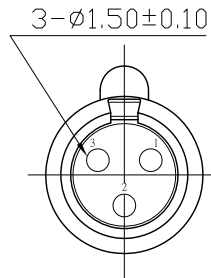


REMARK : RoHS REQUIREMENT APPLIED  
(符合RoHS)



S 1 : 1

-	ring	1	ABS	black	
-	clip	1	brass	nickel	
-	sleeve	1	brass	nickel	
-	spring	1	stainless steel	nickel	
-	button	1	ABS	black	
-	insulator	1	PPS	black	
-	contact pin	3	phosphor bronze	gold	
-	shell	1	brass	nickel	
NO.	Description	Unit	Materials	Finish	Drawing No.

DIMENSIONS ARE IN  
MILLIMETERS

UNLESS OTHERWISE SPECIFIED  
TOLERANCES  
(一般公差)

0.5~6 =  $\pm 0.2$   
 >6~30 =  $\pm 0.4$   
 >30~120 =  $\pm 0.6$   
 >120~315 =  $\pm 1$   
 >315~1000 =  $\pm 1.6$

ANGLES(角度) =  $\pm 5^\circ$

CHECKED

DRAWN

*Tina*

DATE

2011. 06. 08



雅鈦企業有限公司  
Aec Connectors Co., Ltd.

TITLE

MINI-MICROPHONE CONNECTOR

DRAWING NO.

MI-108FNN-3G(PB)

FILE NO.

DRAWINGRFRMIMI-108FNN-3G(PB)

SCALE

2 : 1

UNIT

MM