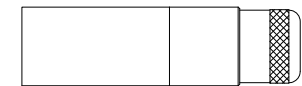
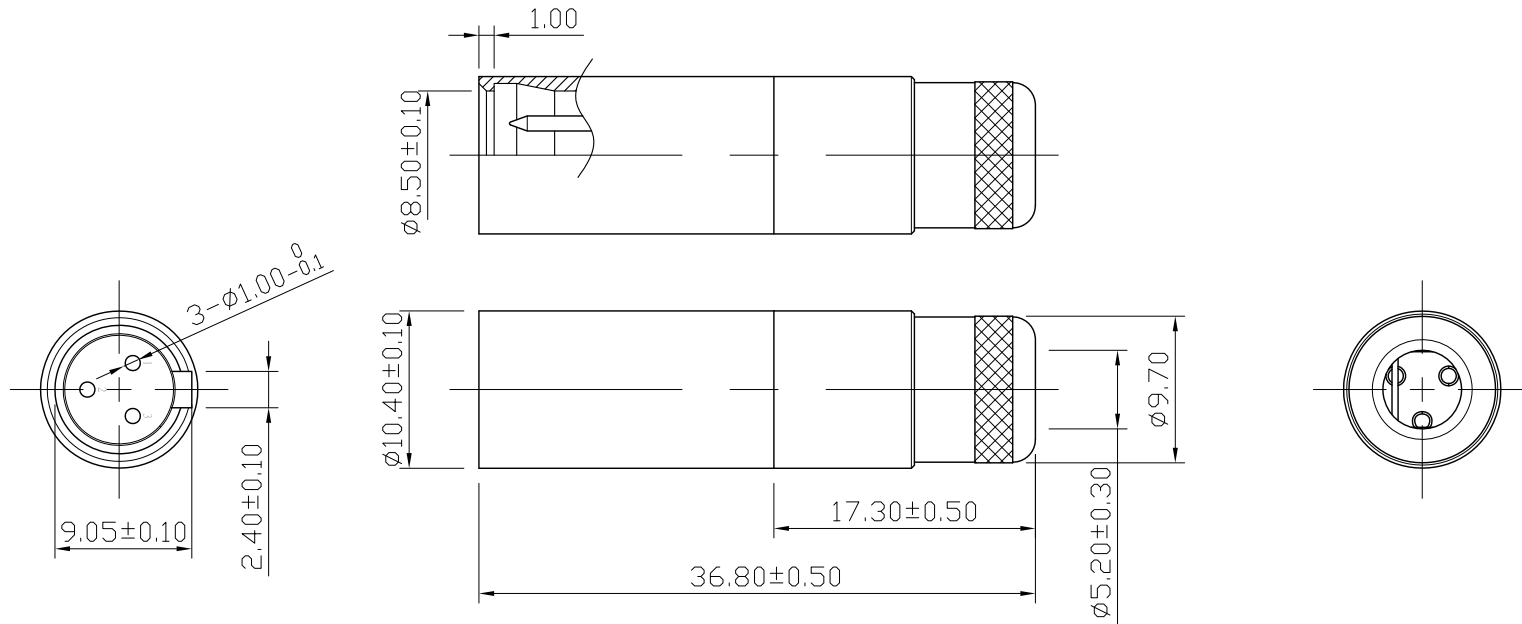


REMARK : RoHS REQUIREMENT APPLIED
(符合RoHS)



S 1 : 1

NO.	Description	Unit	Materials	Finish	Drawing No.	SCALE	2 : 1	UNIT	MM	CHECKED	DATE	FILE NO.
-	ring	1	ABS	black		DIMENSIONS ARE IN MILLIMETERS UNLESS OTHERWISE SPECIFIED TOLERANCES (一般公差) 0.5~6 = ± 0.2 >6~30 = ± 0.4 >30~120 = ± 0.6 >120~315 = ± 1 >315~1000 = ± 1.6 ANGLES(角度) = $\pm 5^\circ$					2011. 06. 09	
-	clip	1	brass	nickel								
-	sleeve	1	brass	nickel								
-	insulator	1	PPS	black								
-	contact pin	3	brass	gold								
-	shell	1	brass	nickel								
-	shell	1	brass	nickel								
TITLE: MINI-MICROPHONE CONNECTOR DRAWING NO.: MI-108MNN-3G FILE NO.: DRAWINGRFRMIMI-108MNN-3G												



雅鈦企業有限公司
Aec Connectors Co., Ltd.