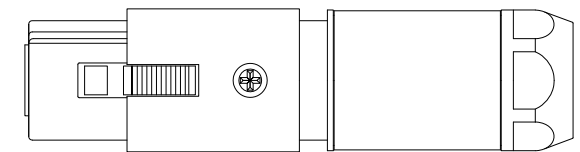
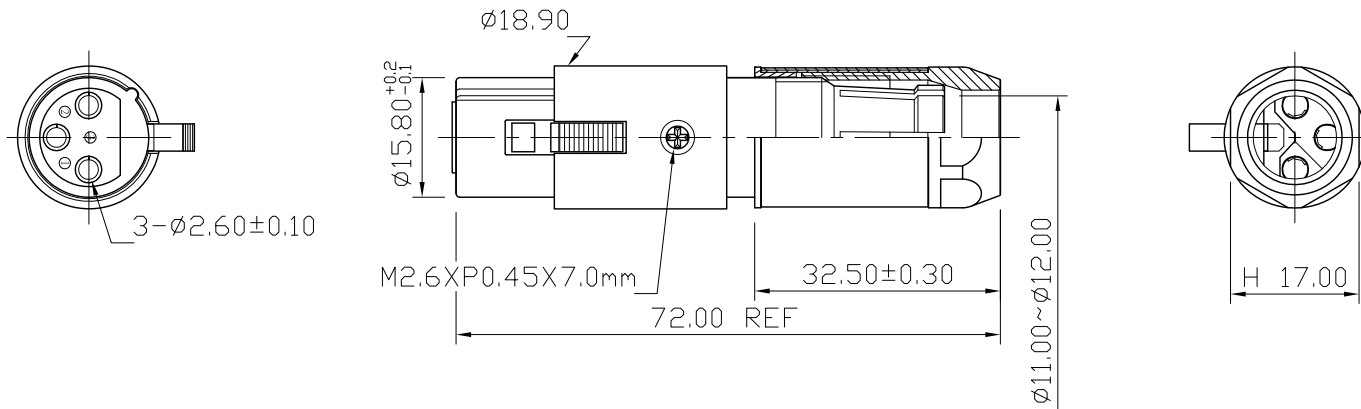


REMARK : RoHS REQUIREMENT APPLIED
(符合RoHS)



S 1 : 1

-	spring	1	brass	nickel	
-	shell	1	black carbon fiber	nature	
-	head lock	1	brass	nickel	
-	screw	1	iron	nickel	SCREW-305N-M2.6XP0.45X7.0mm
-	tube	1	brass	nature	
-	sleeve	1	brass	nickel	
-	shell	1	brass	nickel	
-	solder tab	1	brass	gold	
-	button	1	brass	nickel	
-	sleeve	1	brass	nickel	
-	contact pin	3	phosphor bronze	gold	
-	body	1	PBT 30%fiber	gray	
NO.	Description	Unit	Materials	Finish	Drawing No.

DIMENSIONS ARE IN
MILLIMETERS

UNLESS OTHERWISE SPECIFIED
TOLERANCES
(一般公差)
0.5~6 = ± 0.2
>6~30 = ± 0.4
>30~120 = ± 0.6
>120~315 = ± 1
>315~1000 = ± 1.6
ANGLES(角度) = $\pm 5^\circ$

SCALE | 1 : 1 | UNIT | MM

CHECKED

DRAWN

Tina

DATE

2013. 03. 04



雅鈦企業有限公司
Aec Connectors Co., Ltd.

TITLE

MICROPHONE CONNECTOR

DRAWING NO.

MI-4001FBKFN-3G(PB)-A

FILE NO. DRAWINGR\FM\MI-4001FBKFN-3G(PB)-A