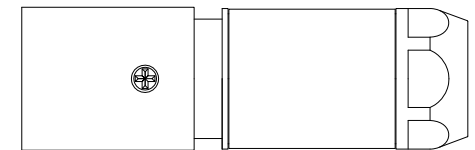
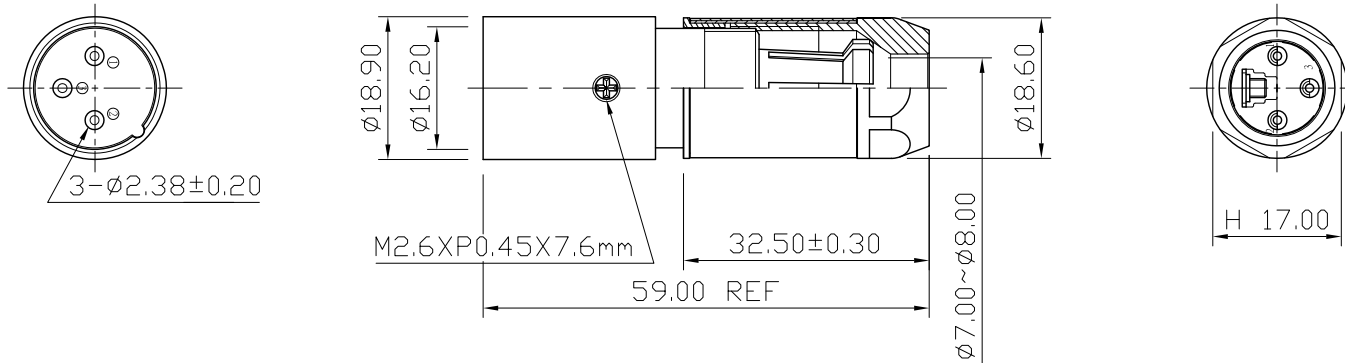


REMARK : RoHS REQUIREMENT APPLIED  
(符合RoHS)



S 1 : 1

-	screw	1	iron	nickel	SCREW-305N-M2.6XP0.45X7.6mm
-	solder tab	1	brass	gold	
-	sleeve	1	brass	nickel	
-	tube	1	brass	nature	
-	shell	1	black carbon fiber	nature	
-	head lock	1	brass	nickel	
-	shell	1	brass	nickel	
-	contact pin	3	tellurium copper	gold	P148-PIN-MI-102G(TeCu)
-	body	1	PBT 30%fiber	gary	
NO.	Description	Unit	Materials	Finish	Drawing No.

DIMENSIONS ARE IN  
MILLIMETERS  
UNLESS OTHERWISE PECIFIED  
TOLERANCES  
(一般公差)  
0.5~6 =  $\pm 0.2$   
>6~30 =  $\pm 0.4$   
>30~120 =  $\pm 0.6$   
>120~315 =  $\pm 1$   
>315~1000 =  $\pm 1.6$   
ANGLES(角度) =  $\pm 5^\circ$

CHECKED

DRAWN  
*Tina*

DATE  
2013. 03. 04



雅鈦企業有限公司  
Aec Connectors Co., Ltd.

TITLE  
MICROPHONE CONNECTOR

DRAWING NO.  
MI-4001MBKFN-3G(Tc)-B

FILE NO. DRAWINGR\FM\MI-4001MBKFN-3G(Tc)-B

SCALE 1 : 1 UNIT MM