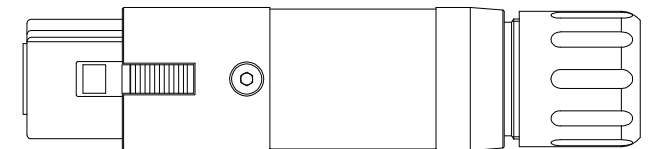
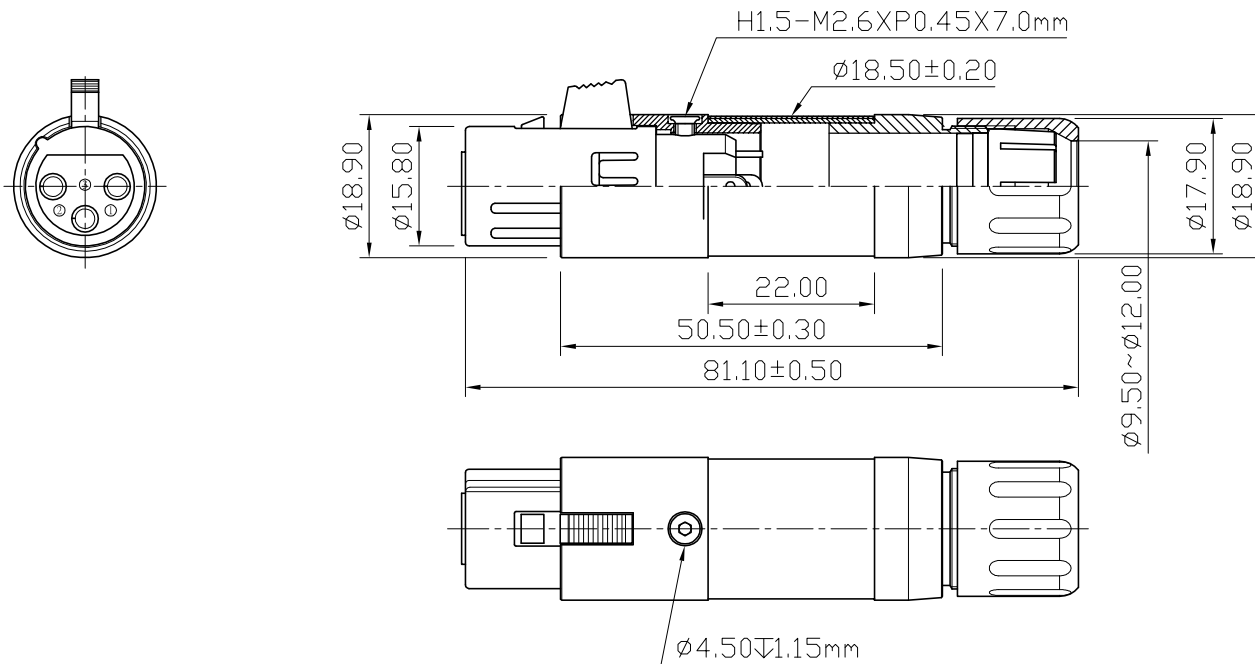


No.	DATE	DESCRIPTION	REV
△	2016. 01. 21	Drawing revised (圖面修正)	A



S 1 : 1

-	screw	1	bronze	nickel	SCREW-303N-M2.6XP0.45X7.0mm
-	sleeve	1	brass	nickel	
-	clip	1	plastic	black	
-	sleeve	1	brass	nickel	
-	tube	1	brass	nature	
-	shell	1	black carbon fiber	nature	
-	head lock	1	brass	nickel	
-	spring	1	stainless steel	nature	
-	solder tab	1	brass	nickel	
-	button	1	zinc alloy	nickel	
-	sleeve	1	brass	nickel	
-	contact pin	3	phosphor bronze	nickel	
-	body	1	PBT 30%fiber	gray	
NO.	Description	Unit	Materials	Finish	Drawing No.

DIMENSIONS ARE IN
MILLIMETERS
UNLESS OTHERWISE PECIFIED
TOLERANCES
(一般公差)
0.5~6 = ±0.2
>6~30 = ±0.4
>30~120 = ±0.6
>120~315 = ±1
>315~1000 = ±1.6
ANGLES(角度) = ±5°

CHECKED

DRAWN
Jim

DATE
2012. 08. 10



雅鈦企業有限公司
Aec Connectors Co., Ltd.

TITLE
MICROPHONE CONNECTOR

DRAWING NO.
MI-4003FBKFN-3N(PB)-A

FILE NO. DRAWING\AUDIO\MIMI-4003FBKFN-3N(PB)-A

SCALE 1 : 1 UNIT MM