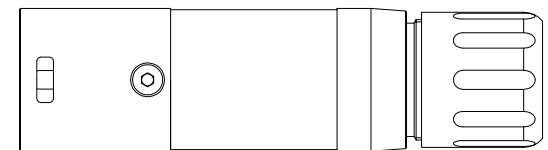
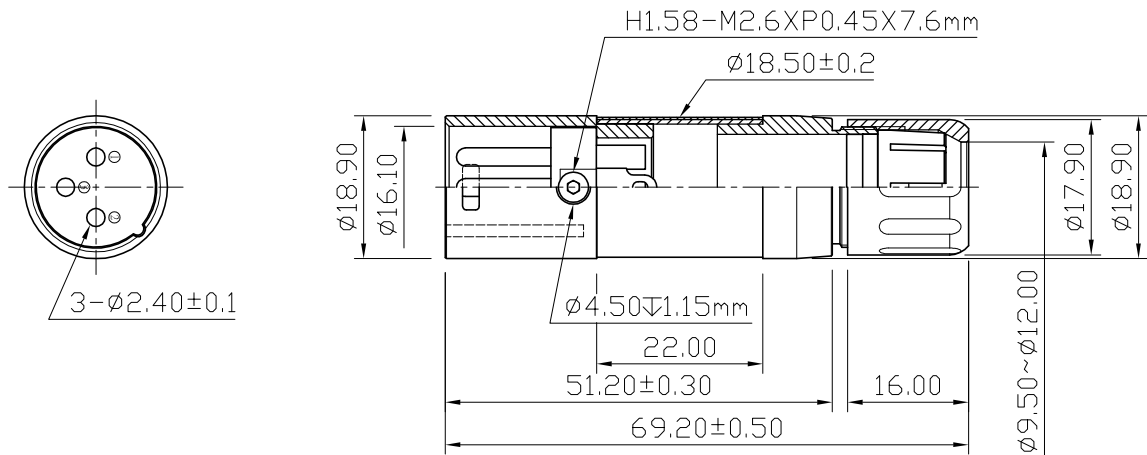


| No. | DATE | DESCRIPTION | REV |
|-----|--------------|------------------------|-----|
| △ | 2016. 01. 21 | Drawing revised (圖面修正) | A |



S 1 : 1

| - | screw | 1 | bronze | gold | SCREW-303G-M2.6XP0.45X7.6mm |
|-----|-------------|------|--------------------|--------|-----------------------------|
| - | sleeve | 1 | brass | gold | |
| - | clip | 1 | plastic | black | |
| - | sleeve | 1 | brass | gold | |
| - | tube | 1 | brass | nature | |
| - | shell | 1 | black carbon fiber | nature | |
| - | head lock | 1 | brass | gold | |
| - | solder tab | 1 | brass | nickel | |
| - | contact pin | 3 | bronze | gold | |
| - | body | 1 | PBT 30%fiber | black | |
| NO. | Description | Unit | Materials | Finish | Drawing No. |

DIMENSIONS ARE IN MILLIMETERS

UNLESS OTHERWISE SPECIFIED TOLERANCES (一般公差)
 0.5~6 = ± 0.2
 >6~30 = ± 0.4
 >30~120 = ± 0.6
 >120~315 = ± 1
 >315~1000 = ± 1.6
 ANGLES(角度) = $\pm 5^\circ$

CHECKED

DRAWN

Jim

DATE

2012. 08. 10



雅鈦企業有限公司
Aec Connectors Co., Ltd.

TITLE

MICROPHONE CONNECTOR

DRAWING NO.

MI-4003MBKFG-3G(Br)-A

FILE NO.

DRAWING\AUDIO\MI\MI-4003MBKFG-3G(Br)-A

SCALE

1 : 1

UNIT

MM