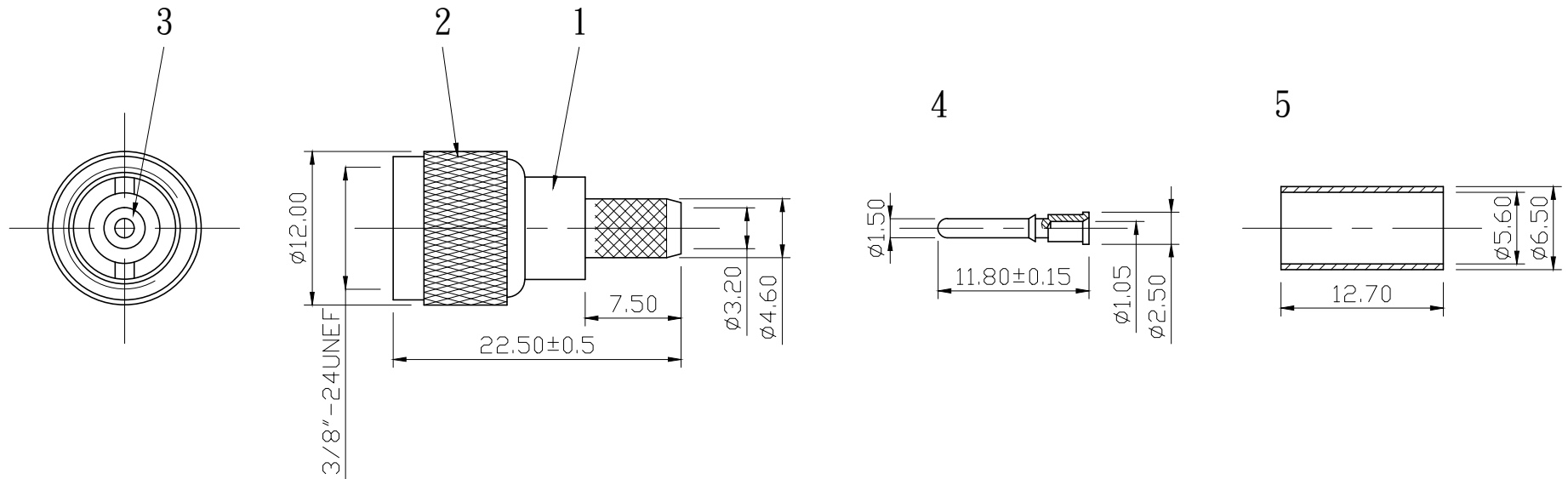



No.	DATE	DESCRIPTION	REV
▲	2016. 03. 08	Drawing to renew 圖面更新	A

REMARK : RoHS REQUIREMENT APPLIED
(符合RoHS)



S 1 : 1

-						DIMENSIONS ARE IN MILLIMETERS			CHECKED	 雅鈦企業有限公司 Aec Connectors Co., Ltd.	
-											UNLESS OTHERWISE SPECIFIED TOLERANCES (一般公差)
5	ring	1	brass	nickel		0.5~6 = ±0.2			DRAWN		TITLE
4	contact pin	1	brass	gold		>6~30 = ±0.4			<i>Chad</i>		MINI UHF MALE CRIMP TYPE FOR RG58/U
3	insulator	1	POM	white		>30~120 = ±0.6			DATE		DRAWING NO.
2	shell	1	brass	nickel		>120~315 = ±1			2007. 12. 07	MU-1001NDG-SC1115	
1	body	1	brass	nickel		>315~1000 = ±1.6				FILE NO. DRAWING	
NO.	Description	Unit	Materials	Finish	Drawing No.	SCALE	2 : 1	UNIT	MM		MU-1001NDG-SC1115