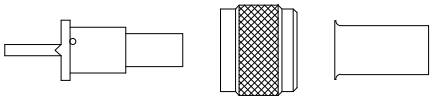
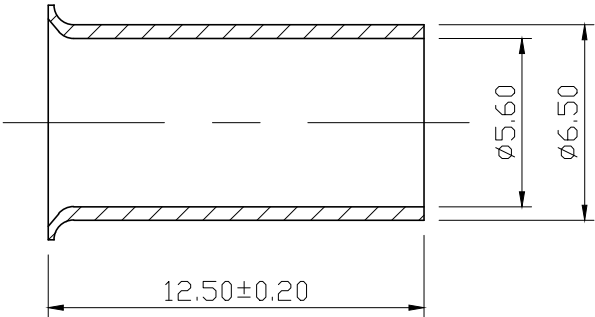
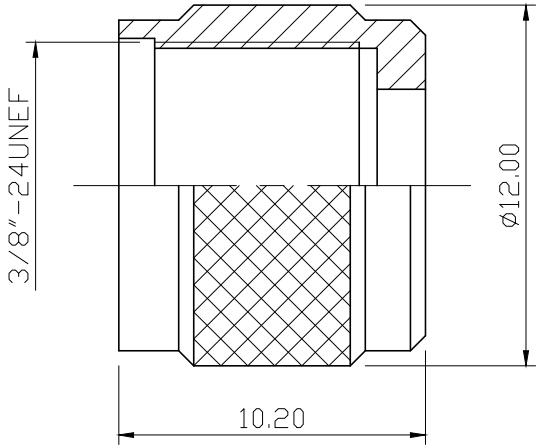
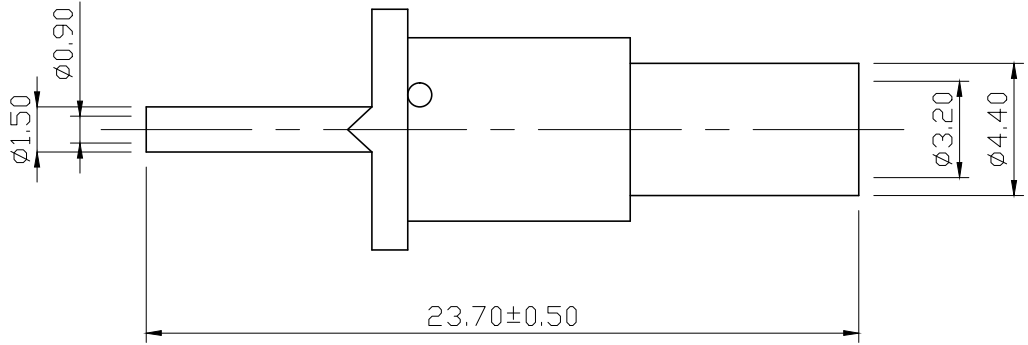


REMARK : RoHS REQUIREMENT APPLIED
(符合RoHS)



S 1 : 1

NO.	Description	Unit	Materials	Finish	Drawing No.	SCALE	4 : 1	UNIT	MM	CHECKED	DATE	FILE NO.
-						DIMENSIONS ARE IN MILLIMETERS						
-						UNLESS OTHERWISE SPECIFIED TOLERANCES (一般公差)						
5	ring	1	brass	nickel		0.5~6 = ±0.2						
4	contact pin	1	brass	gold		>6~30 = ±0.4						
3	insulator	1	teflon	white		>30~120 = ±0.6						
2	shell	1	brass	nickel		>120~315 = ±1						
1	body	1	brass	nickel		>315~1000 = ±1.6						
						ANGLES(角度) = ±5°						
											2010. 10. 26	



雅鈦企業有限公司
Aec Connectors Co., Ltd.

TITLE
MINI UHF MALE CRIMP TYPE FOR RG58/U

DRAWING NO.
MU-1003NTG-SC1115

FILE NO. DRAWINGRFMUFMU-1003NTG-SC1115