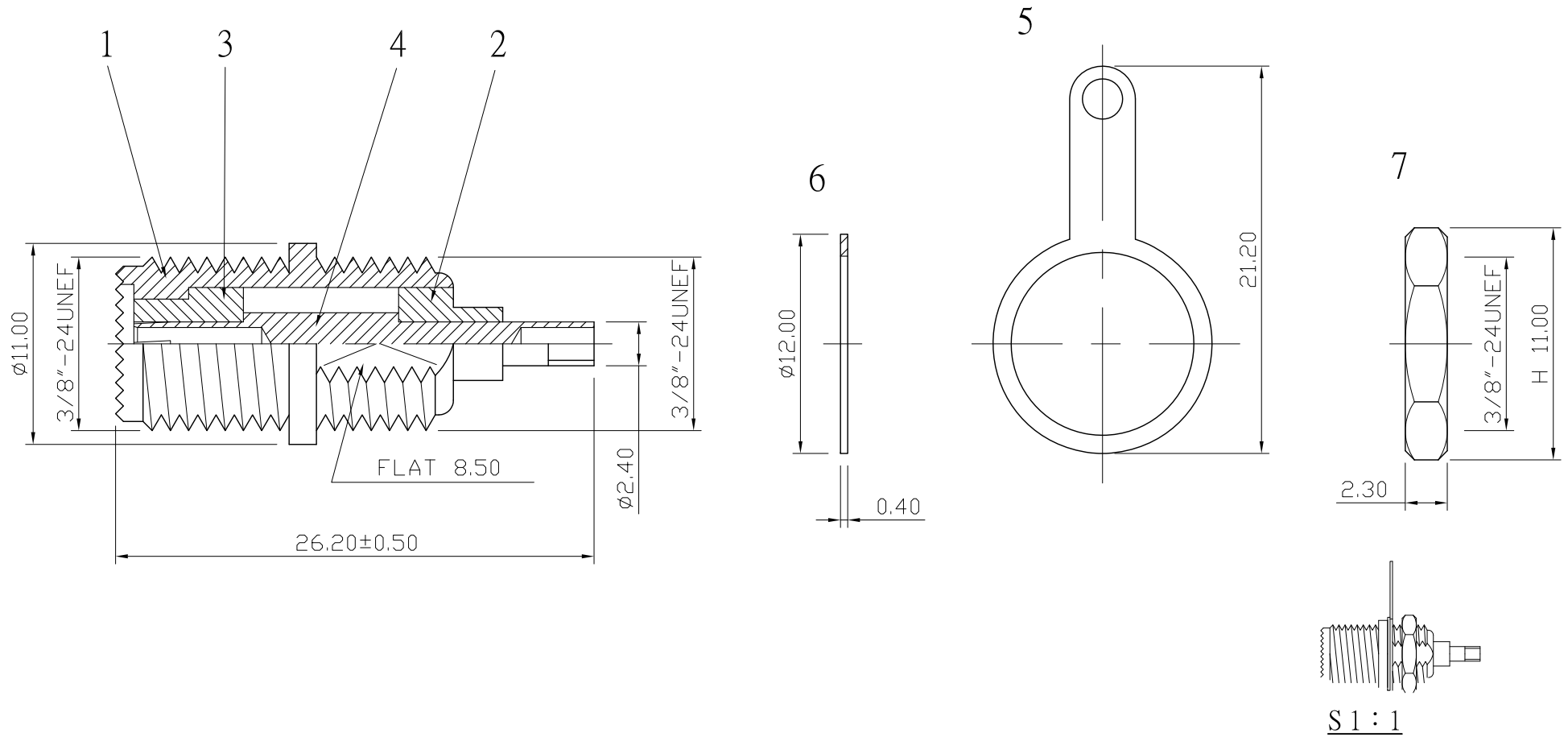


No.	DATE	DESCRIPTION	REV	REMARK : RoHS REQUIREMENT APPLIED (符合RoHS)	DATE	DRAWING NO.
-----	------	-------------	-----	---	------	-------------



7	nut	1	brass	nickel	
6	washer	1	steel	nickel	
5	solder tab	1	steel	nickel	
4	contact pin	1	brass	gold	
3	insulator	1	POM	white	
2	insulator	1	POM	white	
1	body	1	brass	nickel	
NO.	Description	Unit	Materials	Finish	Drawing No.


DIMENSIONS ARE IN MILLIMETERS  
UNLESS OTHERWISE SPECIFIED  
TOLERANCES  
(一般公差)  
0.5~6 = ±0.2  
>6~30 = ±0.4  
>30~120 = ±0.6  
>120~315 = ±1  
>315~1000 = ±1.6  
ANGLES(角度) = ±5°

SCALE 3 : 1 UNIT MM

CHECKED

DRAWN  
*Lala*

DATE  
2009. 11. 13



雅鈦企業有限公司  
Aec Connectors Co., Ltd.

TITLE  
MINI UHF FEMALE BULKHEAD

DRAWING NO.  
MU-1005NDG-SB0025

FILE NO. DRAWINGR\FMUMU-1005NDG-SB0025