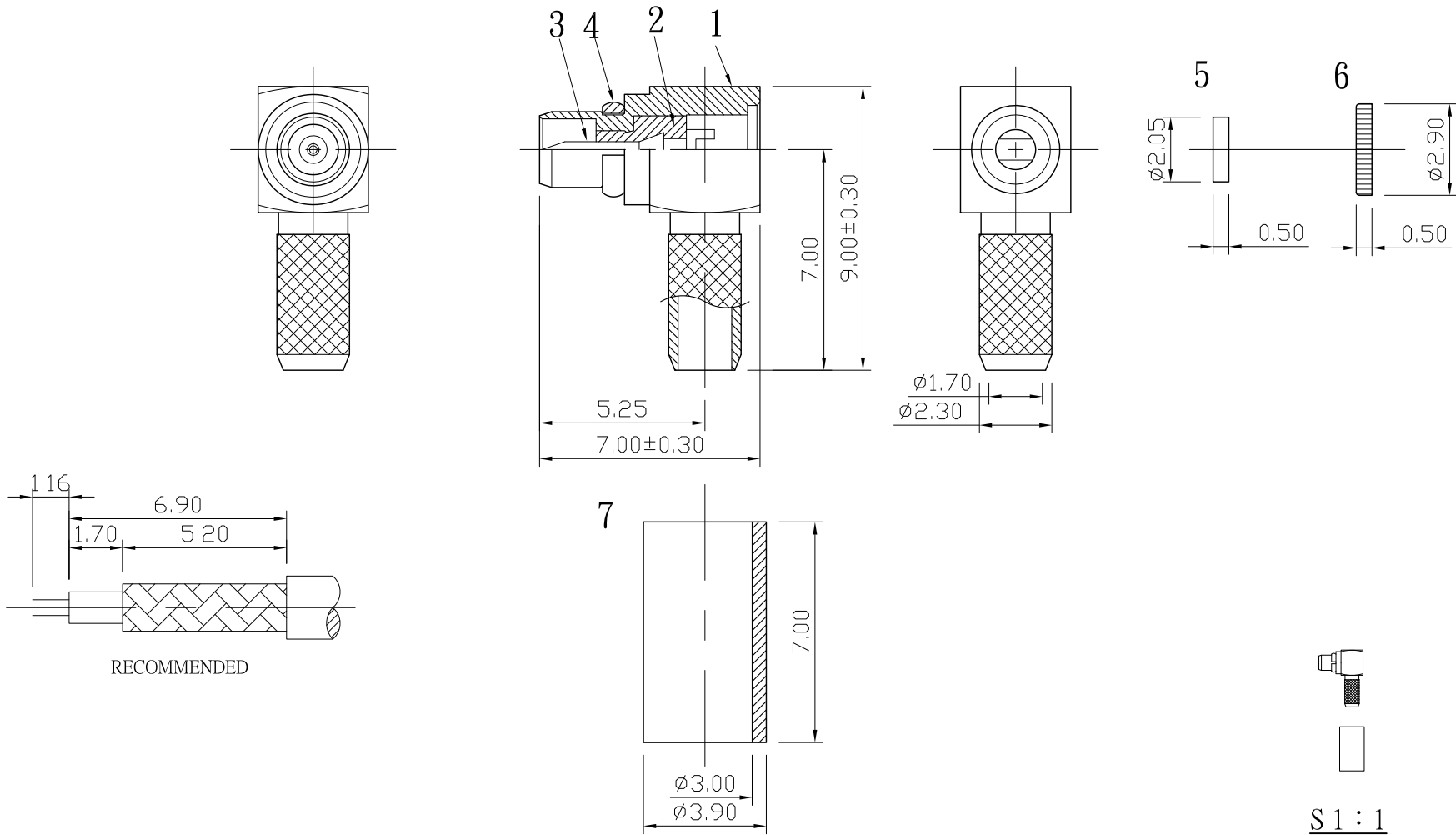



No.	DATE	DESCRIPTION	REV	REMARK : RoHS REQUIREMENT APPLIED (符合RoHS)	DATE	DRAWING NO.
					2008. 07. 23	MMCX-101GG-TEF(50)-174U/316U



7	ferrule	1	brass	gold	DIMENSIONS ARE IN MILLIMETERS UNLESS OTHERWISE PECIFIED TOLERANCES (一般公差) 0.5~6 = ± 0.2 >6~30 = ± 0.4 >30~120 = ± 0.6 >120~315 = ± 1 >315~1000 = ± 1.6 ANGLES(角度) = $\pm 5^\circ$	CHECKED					
6	cap	1	brass	gold							
5	insulator	1	PTFE	white							
4	C ring	1	beryllium copper	gold							
3	contact pin	1	brass	gold							
2	insulator	1	PTFE	white							
1	body	1	brass	gold							
NO.	Description	Unit	Materials	Finish	Drawing No.	SCALE	5 : 1	UNIT	MM	DATE	2007. 12. 06


雅鈦企業有限公司
 Aec Connectors Co., Ltd.

TITLE MMCX R/A MALE CRIMP
 FOR RG-174/U, 188/U, 316/U

DRAWING NO. **MX-1001GTG-RC1715**

FILE NO. DRAWINGR/FMMCXMX-1001GTG-RC1715