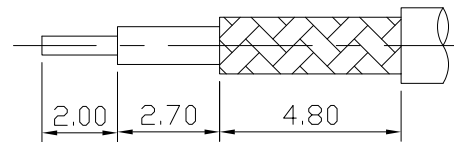
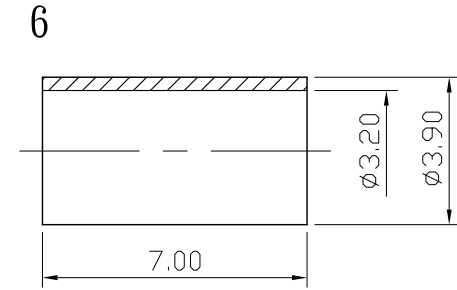
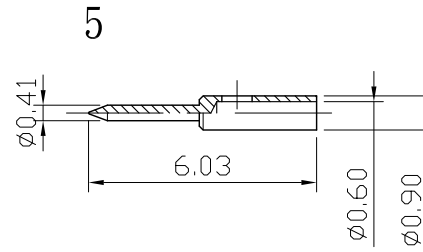
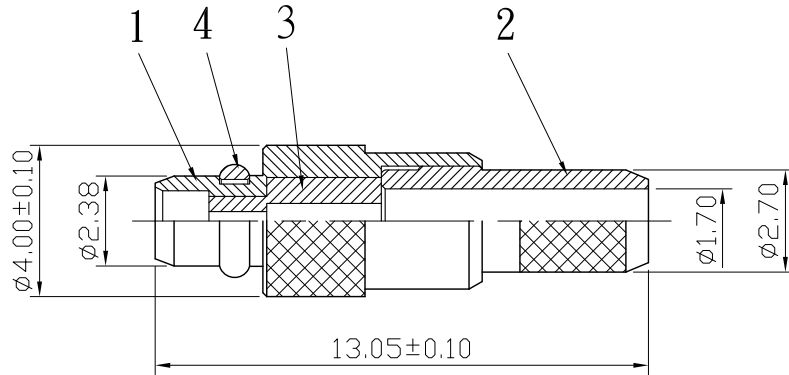


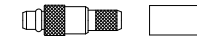
No.	DATE	DESCRIPTION	REV	REMARK : RoHS REQUIREMENT APPLIED (符合RoHS)	DATE	DRAWING NO.
					2008. 09. 25	MMCX-102GG-TEF(50)-174U/316U

Electricals:


1. Impedance: 50 ohms
2. Frequency Range: 0~6 GHz
3. Working Voltage: 170 VRMS min.
4. Dielectric Withstanding Voltage: 500 VRMS min.
5. VSWR: 1.3 max.



RECOMMENDED
CABLE STRIPPING DIM'S
(建議剝線尺寸)



S 1 : 1

7						DIMENSIONS ARE IN MILLIMETERS UNLESS OTHERWISE PECIFIED TOLERANCES (一般公差) 0.5~6 = ±0.2 >6~30 = ±0.4 >30~120 = ±0.6 >120~315 = ±1 >315~1000 = ±1.6 ANGLES(角度) = ±5°	CHECKED	 雅鈦企業有限公司 Aec Connectors Co., Ltd.			
6	ferrule	1	brass	gold			DRAWN		TITLE		
5	contact pin	1	brass	gold			<i>Ada</i>		FOR RG-174/U,188/U,316/U		
4	c ring	1	beryllium copper	gold				DRAWING NO.			
3	insulator	1	PTFE	white				MX-1002GTG-SC1715			
2	barrel	1	brass	gold				FILE NO. DRAWING			
1	body	1	brass	gold				RFMMCXMX-1002GTG-SC1715			
NO.	Description	Unit	Materials	Finish	Drawing No.	SCALE	5 : 1	UNIT	MM	DATE	2007. 04. 16