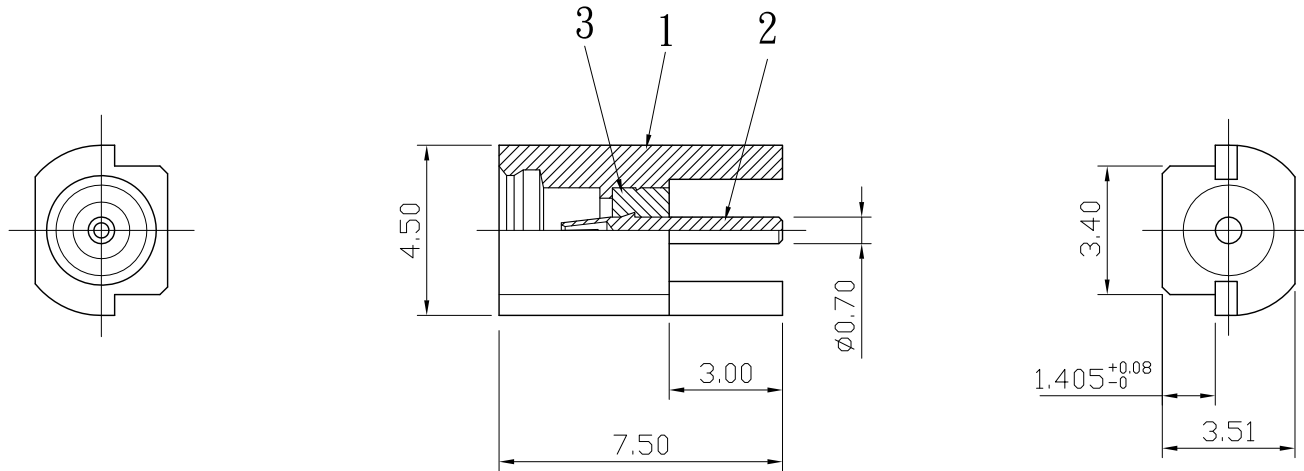



No.	DATE	DESCRIPTION	REV	REMARK : RoHS REQUIREMENT APPLIED (符合RoHS)	DATE	DRAWING NO.
					2009. 11. 30	MMCX-104GG(BeCu)-TEF(50)



S 1 : 1

7						DIMENSIONS ARE IN MILLIMETERS UNLESS OTHERWISE PECIFIED TOLERANCES (一般公差) 0.5~6 = ± 0.2 >6~30 = ± 0.4 >30~120 = ± 0.6 >120~315 = ± 1 >315~1000 = ± 1.6 ANGLES(角度) = $\pm 5^\circ$	CHECKED	 雅鈦企業有限公司 Aec Connectors Co., Ltd.	
6							TITLE		
5							DRAWN	MMCX STRAIGHT EDGECARD JACK	
4							<i>Lala</i>	DRAWING NO.	
3	insulator	1	teflon	white			DATE	MX-1004GTG-SA0025	
2	contact pin	1	beryllium copper	gold			2007. 09. 18	FILE NO. DRAWINGR\FMMCX\MX-1004GTG-SA0025	
1	body	1	brass	gold					
NO.	Description	Unit	Materials	Finish	Drawing No.	SCALE	5 : 1	UNIT	MM