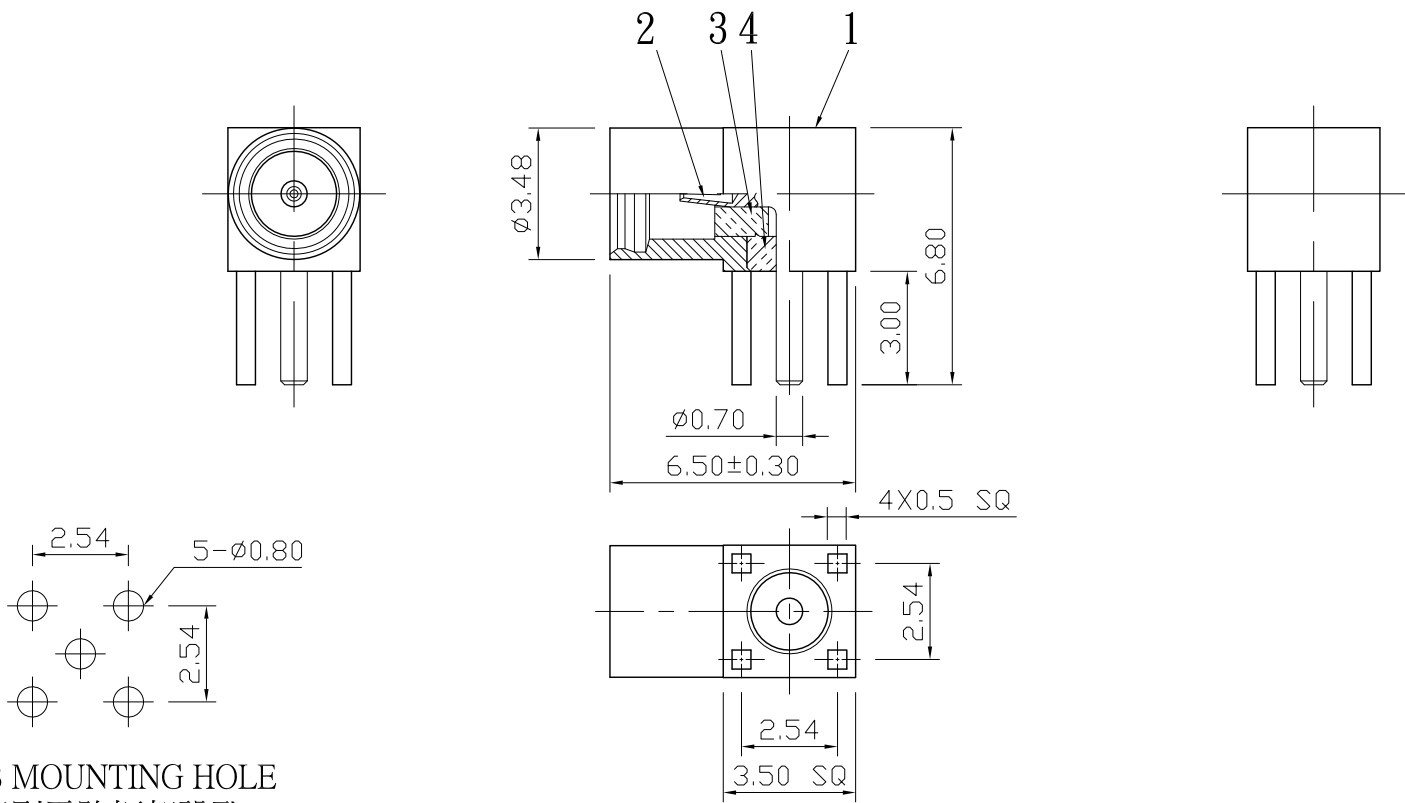



No.	DATE	DESCRIPTION	REV	REMARK : RoHS REQUIREMENT APPLIED (符合RoHS)	DATE	DRAWING NO.
					2011. 12. 01	MMCX-107GG(BeCu)-TEF(50)



PCB MOUNTING HOLE
(印刷电路板架設孔)



S 1 : 1

7						DIMENSIONS ARE IN MILLIMETERS UNLESS OTHERWISE SPECIFIED TOLERANCES (一般公差) 0.5~6 = ±0.2 >6~30 = ±0.4 >30~120 = ±0.6 >120~315 = ±1 >315~1000 = ±1.6 ANGLES(角度) = ±5°	CHECKED	 雅鈦企業有限公司 Aec Connectors Co., Ltd.
6					DRAWN <i>Tina</i>			
5							DATE 2007. 08. 21	
4	insulator	1	PTFE	white			TITLE MMCX FEMALE RIGHT ANGLE PCB MOUNT	
3	insulator	1	PTFE	white			DRAWING NO. MX-1007GTG-RA0025	
2	contact pin	1	beryllium copper	gold			FILE NO. DRAWINGRFMMCMXMX-1007GTG-RA0025	
1	body	1	brass	gold				
NO.	Description	Unit	Materials	Finish	Drawing No.	SCALE 5 : 1 UNIT MM		