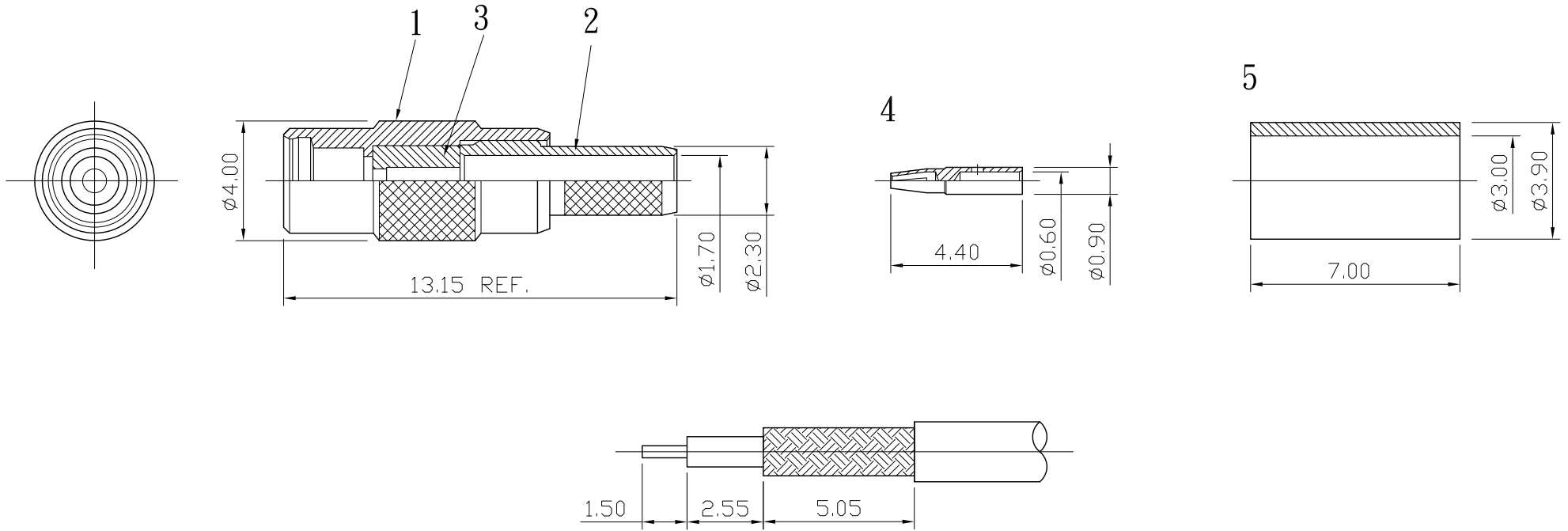
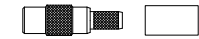



No.	DATE	DESCRIPTION	REV	REMARK : RoHS REQUIREMENT APPLIED (符合RoHS)	DATE	DRAWING NO.
					2009. 12. 23	MMCX-108GG(BeCu)-TEF(50)-174U/316U



RECOMMENDED CABLE STRIPPING DIM'S
(建議剝線尺寸)



S 1 : 1

7						DIMENSIONS ARE IN MILLIMETERS UNLESS OTHERWISE SPECIFIED TOLERANCES (一般公差) 0.5~6 = ± 0.2 >6~30 = ± 0.4 >30~120 = ± 0.6 >120~315 = ± 1 >315~1000 = ± 1.6 ANGLES(角度) = $\pm 5^\circ$	CHECKED	 雅鈦企業有限公司 Aec Connectors Co., Ltd.	
6					DRAWN		TITLE		
5	ferrule	1	brass	gold			<i>Lala</i>		MMCX STRAIGHT FEMALE CRIMP FOR RG-174/U, 188/U, 316/U
4	contact pin	1	beryllium copper	gold			DATE	DRAWING NO.	
3	insulator	1	teflon	white			2008. 01. 29	MX-1008GTG-SC1725	
2	body	1	brass	gold			FILE NO.	DRAWING\RF\MMCX\MX-1008GTG-SC1725	
1	shell	1	brass	gold					
NO.	Description	Unit	Materials	Finish	Drawing No.	SCALE	5 : 1	UNIT	MM