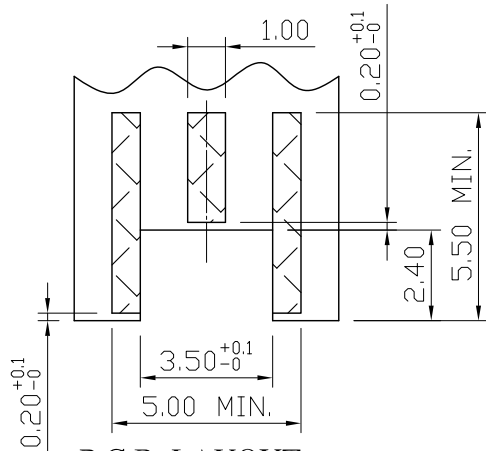
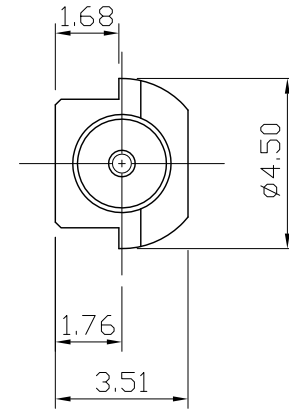
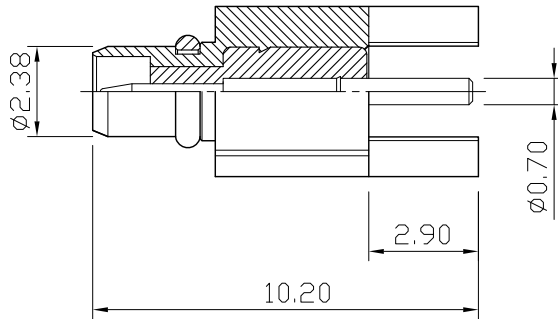



No.	DATE	DESCRIPTION	REV	REMARK : RoHS REQUIREMENT APPLIED (符合RoHS)	DATE	DRAWING NO.
					2009. 01. 15	MMCX-111GG-TEF(50)



P.C.B. LAYOUT
(印刷电路板配置)



S 1 : 1

-						DIMENSIONS ARE IN MILLIMETERS UNLESS OTHERWISE SPECIFIED TOLERANCES (一般公差) 0.5~6 = ±0.2 >6~30 = ±0.4 >30~120 = ±0.6 >120~315 = ±1 >315~1000 = ±1.6 ANGLES(角度) = ±5°	CHECKED	 雅鈦企業有限公司 Aec Connectors Co., Ltd.		
-	ring	1	beryllium copper	gold					DRAWN <i>Tina</i>	TITLE MMCX STRAIGHT PLUG
-	body	1	brass	gold			DATE 2008. 02. 12			DRAWING NO. MX-1011GTG-SA0015
-	insulator	1	PTFE	white					FILE NO. DRAWING\RFMMCX\MX-1011GTG-SA0015	
-	contact pin	1	brass	gold						
NO.	Description	Unit	Materials	Finish	Drawing No.		SCALE 5 : 1		UNIT	MM