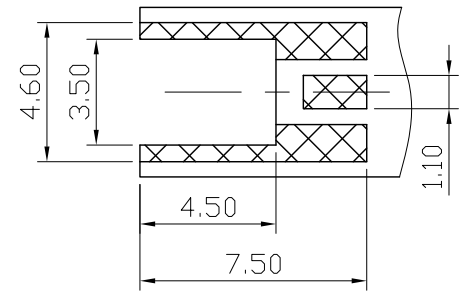
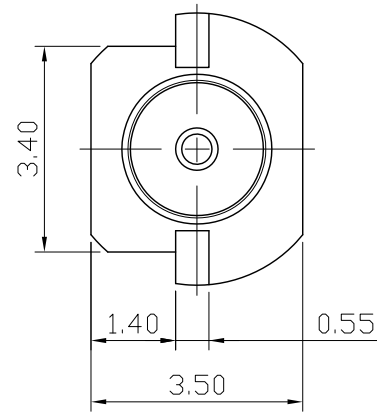
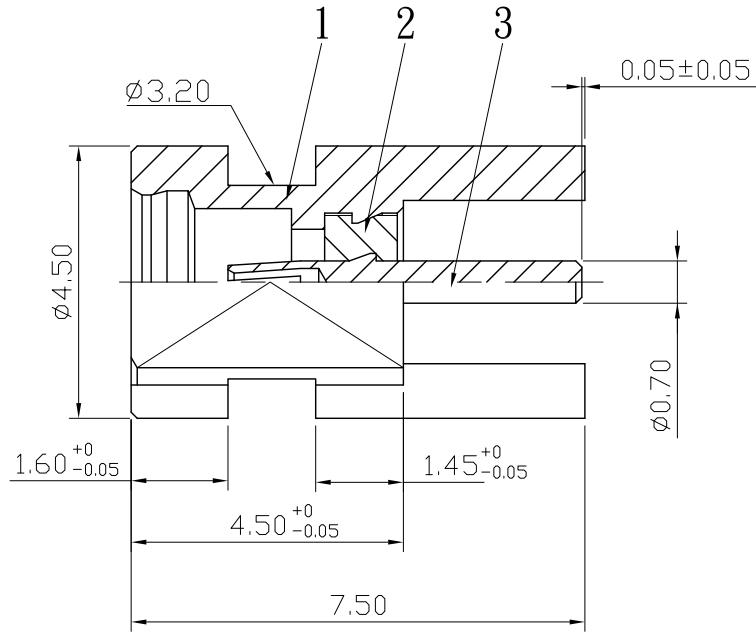



No.	DATE	DESCRIPTION	REV	REMARK : RoHS REQUIREMENT APPLIED (符合RoHS)	DATE	DRAWING NO.
-----	------	-------------	-----	---	------	-------------



P.C.B. LAYOUT(1:16)
(印刷电路板配置)



S 1 : 1

7						DIMENSIONS ARE IN MILLIMETERS UNLESS OTHERWISE PECIFIED TOLERANCES (一般公差) 0.5~6 = ± 0.2 >6~30 = ± 0.4 >30~120 = ± 0.6 >120~315 = ± 1 >315~1000 = ± 1.6 ANGLES(角度) = $\pm 5^\circ$	CHECKED	 雅鈦企業有限公司 Aec Connectors Co., Ltd.	
6									
5									TITLE
4									MMCX STRAIGHT EDGECARD JACK
3	contact pin	1	beryllium copper	gold (3u")	MX03BE004A		DRAWN	DRAWING NO.	
2	insulator	1	PTFE	white	MX02TF004A		<i>Chad</i>	MX-1014GTG-SA0025	
1	body	1	brass	gold	MX01BR022A		DATE	FILE NO. DRAWINGRFXMXMX-1014GTG-SA0025	
NO.	Description	Unit	Materials	Finish	Drawing No.	SCALE	8 : 1	UNIT	MM
							2015. 08. 07		