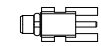
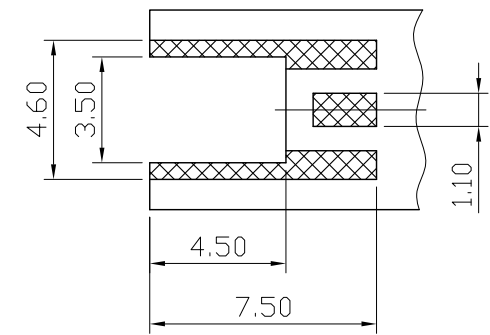
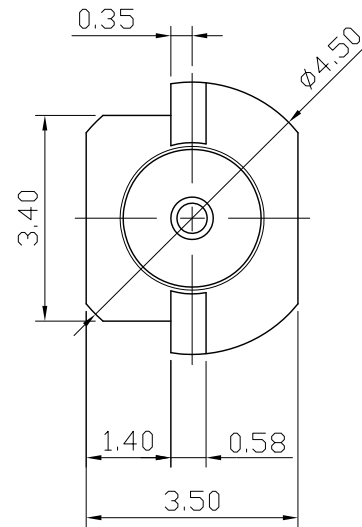
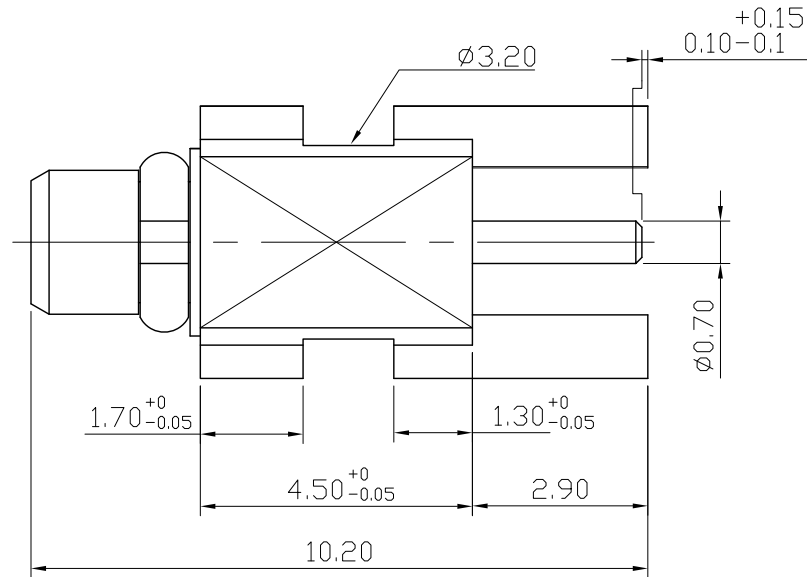



No.	DATE	DESCRIPTION	REV	REMARK : RoHS REQUIREMENT APPLIED (符合RoHS)	DATE	DRAWING NO.
-----	------	-------------	-----	---	------	-------------



S 1 : 1

-						DIMENSIONS ARE IN MILLIMETERS UNLESS OTHERWISE SPECIFIED TOLERANCES (一般公差) 0.5~6 = ± 0.2 >6~30 = ± 0.4 >30~120 = ± 0.6 >120~315 = ± 1 >315~1000 = ± 1.6 ANGLES(角度) = $\pm 5^\circ$	CHECKED	 雅鈦企業有限公司 Aec Connectors Co., Ltd.				
-	ring	1	beryllium copper	gold	MX14BE001A							
-	contact pin	1	brass	gold (3u")	MX03BR003A		DRAWN		TITLE			
-	insulator	1	PTFE	white	MX02TF003A		<i>Chad</i>		MMCX STRAIGHT EDGECARD PLUG			
-	body	1	brass	gold	MX01BR023A		DATE		DRAWING NO.			
NO.	Description	Unit	Materials	Finish	Drawing No.		2015. 09. 17		MX-1015GTG-SA0015			
							SCALE	8 : 1	UNIT	MM	FILE NO. DRAWING	RFMXMX-1015GTG-SA0015