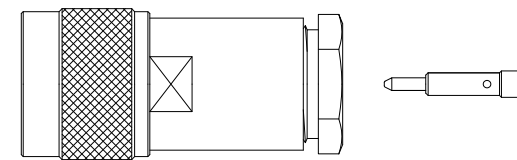
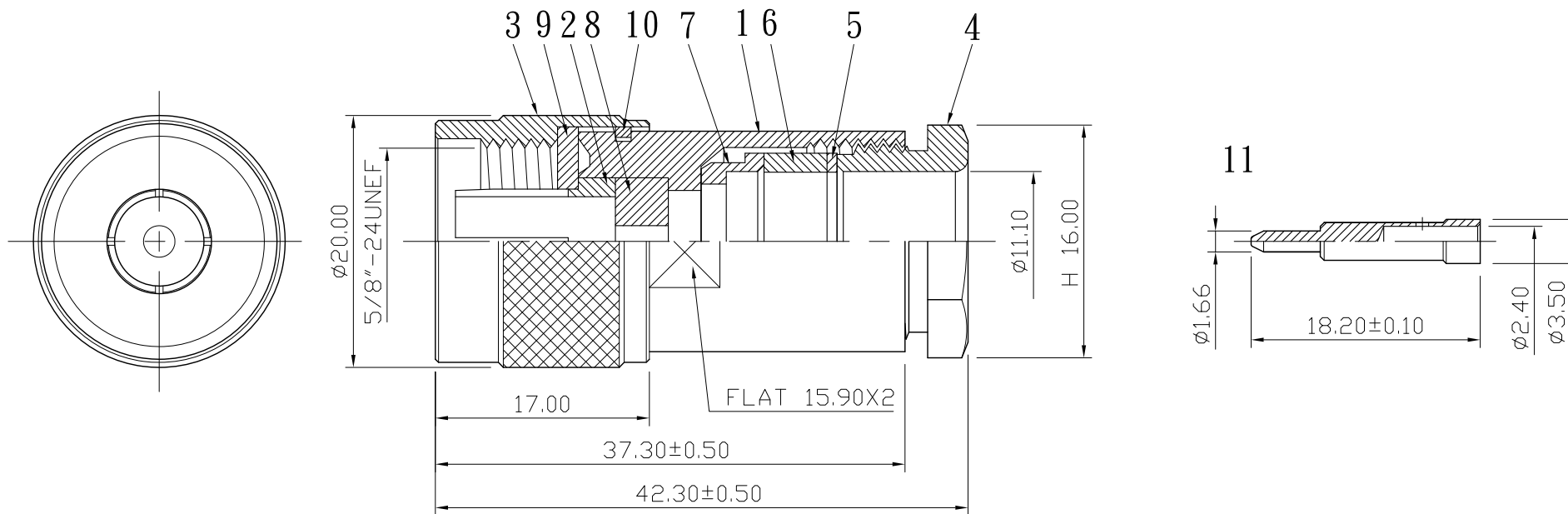


No.	DATE	DESCRIPTION	REV	REMARK : RoHS REQUIREMENT APPLIED (符合RoHS)	DATE	DRAWING NO.
-----	------	-------------	-----	---	------	-------------




S 1 : 1

11	contact pin	1	brass	gold	
10	washer	1	brass	none	
9	gasket	1	rubber	red	
8	insulator	1	delrin	white	
7	washer	1	brass	nickel	
6	gasket	1	rubber	red	
5	washer	1	brass	nickel	
4	screw	1	brass	nickel	
3	shell	1	brass	nickel	
2	body	1	brass	nickel	
1	body	1	brass	nickel	
NO.	Description	Unit	Materials	Finish	Drawing No.

DIMENSIONS ARE IN MILLIMETERS
UNLESS OTHERWISE SPECIFIED
TOLERANCES
(一般公差)
0.5~6 = ±0.2
>6~30 = ±0.4
>30~120 = ±0.6
>120~315 = ±1
>315~1000 = ±1.6
ANGLES(角度) = ±5°

CHECKED

DRAWN
Lala
DATE
2008. 09. 08



雅鈦企業有限公司
Aec Connectors Co., Ltd.

TITLE
N MALE CLAMP TYPE FOR RG-213/U,8/U

DRAWING NO.
NS-1003NDG-SD1315

FILE NO. DRAWING\ARF\NS\NS-1003NDG-SD1315