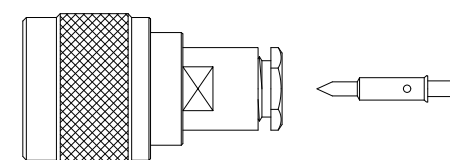
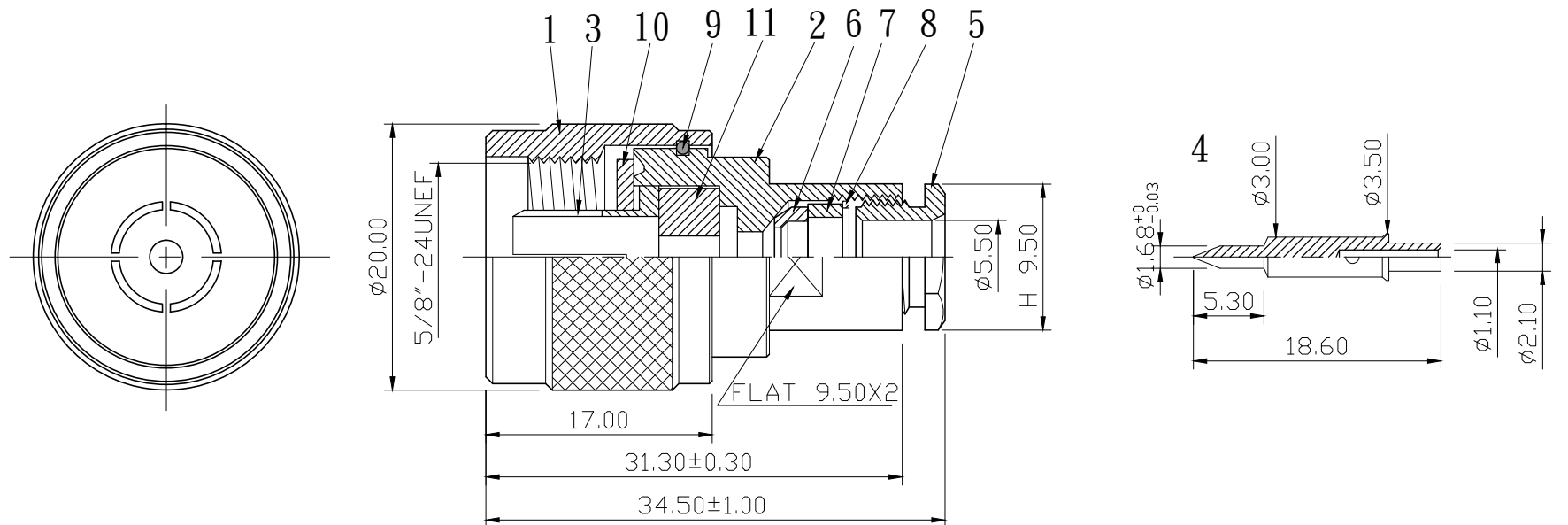


No.	DATE	DESCRIPTION	REV	REMARK : RoHS REQUIREMENT APPLIED (符合RoHS)	DATE	DRAWING NO.
					2008. 12. 30	NS-1004NG-DEL(50)-58U



S1:1

11	insulator	1	delrin	white	
10	gasket	1	rubber	red	
9	washer	1	brass	nickel	
8	washer	1	steel	nickel	
7	gasket	1	rubber	red	
6	top hat	1	brass	nickel	
5	screw	1	zinc alloy	nickel	
4	contact pin	1	brass	gold	
3	body	1	brass	nickel	
2	body	1	brass	nickel	
1	shell	1	brass	nickel	
NO.	Description	Unit	Materials	Finish	Drawing No.

DIMENSIONS ARE IN MILLIMETERS  
UNLESS OTHERWISE SPECIFIED TOLERANCES  
(一般公差)  
0.5~6 = ±0.2  
>6~30 = ±0.4  
>30~120 = ±0.6  
>120~315 = ±1  
>315~1000 = ±1.6  
ANGLES(角度) = ±5°

CHECKED  
  
DRAWN  
*Lala*  
DATE  
2008. 04. 25



雅鈦企業有限公司  
Aec Connectors Co., Ltd.

TITLE  
N MALE CLAMP FOR RG-58/U

DRAWING NO.  
NS-1004NDG-SD1115

FILE NO.  
DRAWING\RFNS\NS-1004NDG-SD1115