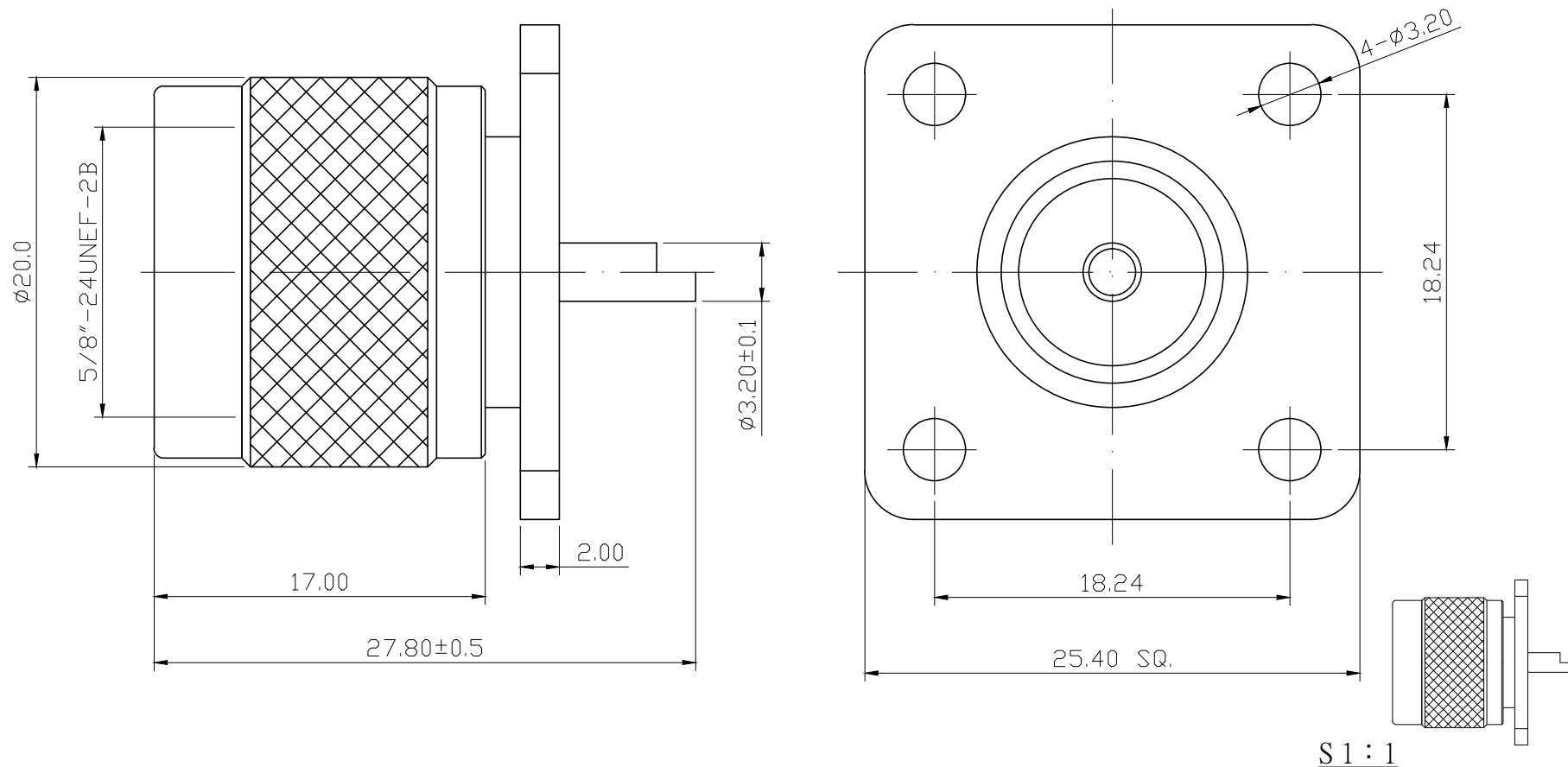



No.	DATE	DESCRIPTION	REV	REMARK : RoHS REQUIREMENT APPLIED (符合RoHS)	DATE	DRAWING NO.
-----	------	-------------	-----	---	------	-------------



8	washer	1	brass	none	
7	gasket	1	rubber	red	
6	insulator	1	PTFE	none	
5	contact pin	1	brass	gold	
4	panel	1	brass	nickel	
3	shell	1	brass	nickel	
2	body II	1	brass	nickel	
1	body I	1	brass	nickel	
NO.	Description	Unit	Materials	Finish	Drawing No.

DIMENSIONS ARE IN MILLIMETERS			CHECKED	 雅鈇企業有限公司 Aec Connectors Co., Ltd.
UNLESS OTHERWISE PECIFIED TOLERANCES (一般公差)				
0.5~6 = ± 0.2			DRAWN <i>Chad</i>	TITLE N STRAIGHT PLUG PANEL SOLDER
>6~30 = ± 0.4				DRAWING NO. NS-1006NTG-SF0015
>30~120 = ± 0.6			DATE 2014. 05. 29	FILE NO. DRAWING\RF\NS\NS-1006NTG-SF0015
>120~315 = ± 1				
>315~1000 = ± 1.6				
ANGLES(角度) = $\pm 5^\circ$				
SCALE	3 : 1	UNIT	MM	