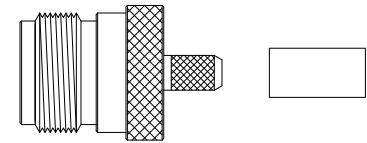
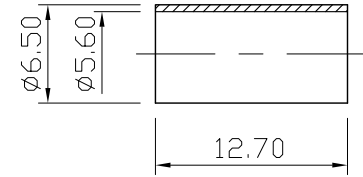
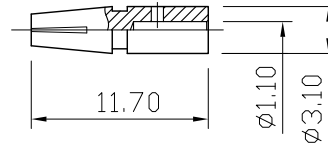
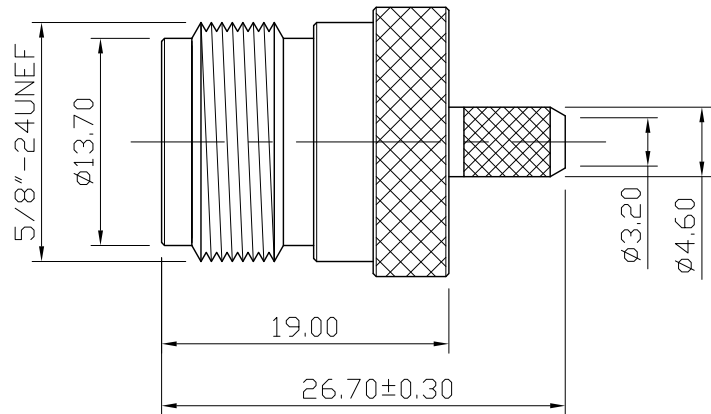



No.	DATE	DESCRIPTION	REV	REMARK : RoHS REQUIREMENT APPLIED (符合RoHS)	DATE	DRAWING NO.
-----	------	-------------	-----	---	------	-------------



S 1 : 1

-					DIMENSIONS ARE IN MILLIMETERS UNLESS OTHERWISE SPECIFIED TOLERANCES (一般公差) 0.5~6 = $\pm 0.2$ >6~30 = $\pm 0.4$ >30~120 = $\pm 0.6$ >120~315 = $\pm 1$ >315~1000 = $\pm 1.6$ ANGLES(角度) = $\pm 5^\circ$	CHECKED	 雅鈦企業有限公司 Aec Connectors Co., Ltd.		
-	ferrule	1	brass	nickel		DRAWN		TITLE	
-	sleeve	1	brass	nickel		Lala	N FEMALE CRIMP TYPE FOR RG-58/U		
-	insulator	1	teflon	white			DATE	DRAWING NO.	
-	contact pin	1	brass	gold		2009. 04. 14	NS-1007NTG-SC1125		
-	body	1	brass	nickel		FILE NO.	DRAWINGRFNSNS-1007NTG-SC1125		
NO.	Description	Unit	Materials	Finish	Drawing No.	SCALE	2 : 1	UNIT	MM