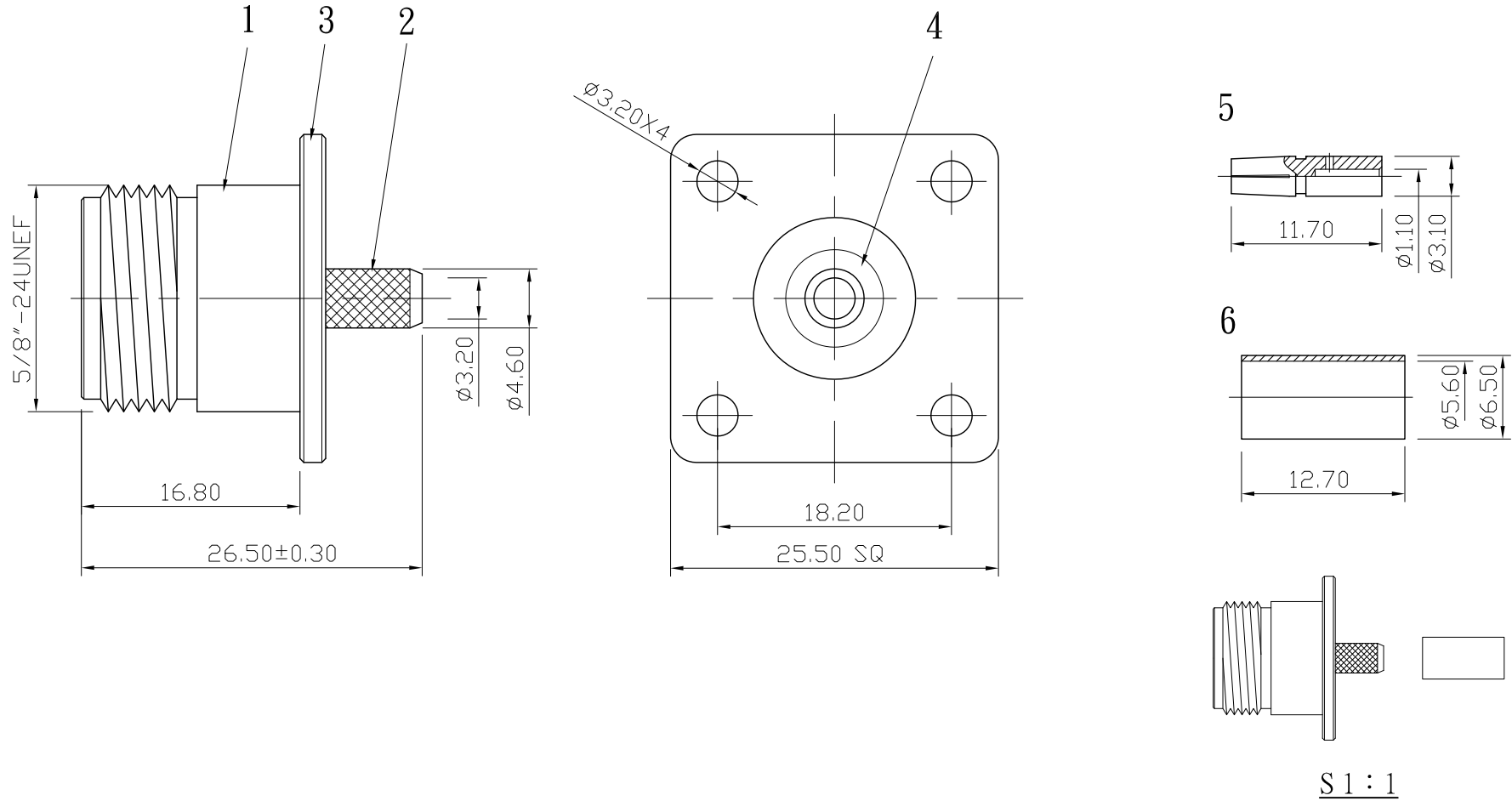



No.	DATE	DESCRIPTION	REV	REMARK : RoHS REQUIREMENT APPLIED (符合RoHS)	DATE	DRAWING NO.
					2009. 03. 25	NS-1009NG-DEL(50)-58U



7						DIMENSIONS ARE IN MILLIMETERS UNLESS OTHERWISE PECIFIED TOLERANCES (一般公差) 0.5~6 = ±0.2 >6~30 = ±0.4 >30~120 = ±0.6 >120~315 = ±1 >315~1000 = ±1.6 ANGLES(角度) = ±5°	CHECKED	 <b>雅鈦企業有限公司</b> Aec Connectors Co., Ltd.	
6	ring	1	brass	nickel			DRAWN <i>Lala</i>		TITLE N FEMALE CRIMP PANEL RECEPTACLE FOR RG-58/U
5	contact pin	1	brass	gold					DATE 2008. 02. 27
4	insulator	1	delrin	white				FILE NO. DRAWINGR\FNS\NS-1009NDG-SC1125	
3	panel recepta	1	brass	nickel					
2	body	1	brass	nickel					
1	body	1	brass	nickel					
NO.	Description	Unit	Materials	Finish	Drawing No.	SCALE 2 : 1	UNIT	MM	