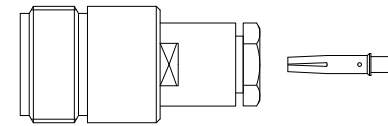
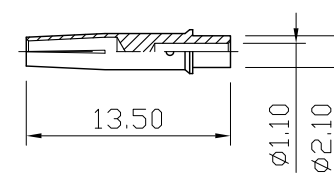
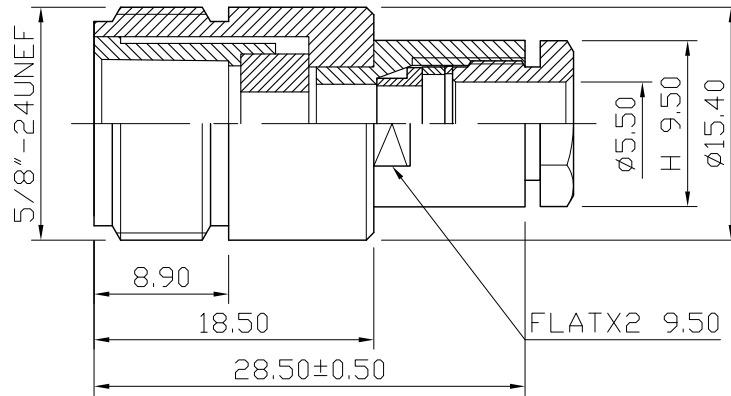


No.	DATE	DESCRIPTION	REV	REMARK : RoHS REQUIREMENT APPLIED (符合RoHS)	DATE	DRAWING NO.
-----	------	-------------	-----	---	------	-------------




S 1 : 1

-	clamp nut	1	brass	nickel	
-	washer	1	brass	nickel	
-	gasket	1	rubber	red	
-	braid clamp	1	brass	nickel	
-	contact pin	1	brass	gold	
-	insulator	1	teflon	white	
-	body	1	brass	nickel	
-	body	1	brass	nickel	
-	body	1	brass	nickel	
NO.	Description	Unit	Materials	Finish	Drawing No.

DIMENSIONS ARE IN MILLIMETERS		
UNLESS OTHERWISE SPECIFIED TOLERANCES (一般公差)		
0.5~6	= ±0.2	
>6~30	= ±0.4	
>30~120	= ±0.6	
>120~315	= ±1	
>315~1000	= ±1.6	
ANGLES(角度) = ±5°		
SCALE	2 : 1	UNIT MM

CHECKED
DRAWN <i>Jim</i>
DATE 2011. 11. 07

 雅鈦企業有限公司 Aec Connectors Co., Ltd.
DRAWING NO. NS-1010NTG-SD1125
FILE NO. DRAWING\RF\NS\NS-1010NTG-SD1125