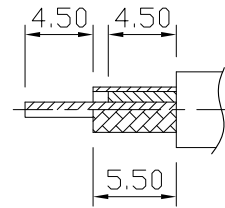
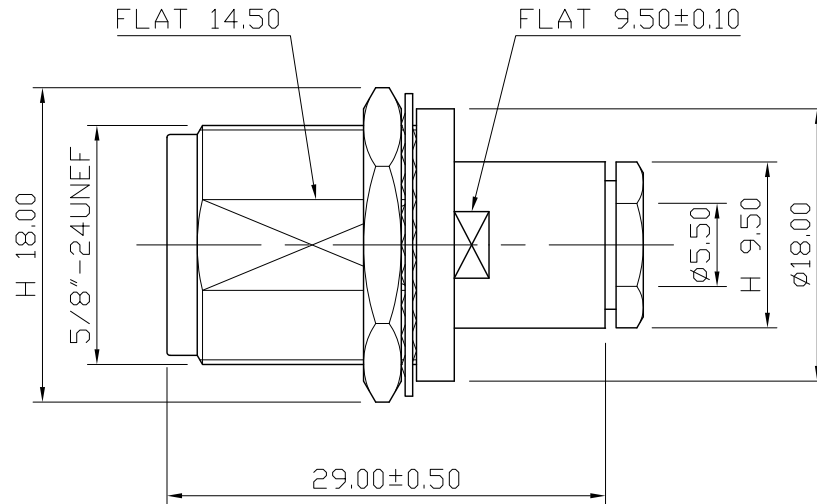
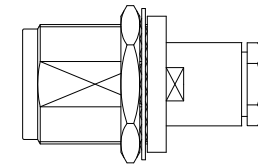


No.	DATE	DESCRIPTION	REV	REMARK : RoHS REQUIREMENT APPLIED (符合RoHS)	DATE	DRAWING NO.
					2012. 07. 05	NS-1011NDN-SD2325



RECOMMENDED CABLE STRIPPING DIM'S
(建議剝線尺寸)



S 1 : 1


-	washer	1	steel	nickel	
-	nut	1	brass	nickel	
-	contact pin	1	brass	gold	
-	screw	1	brass	nickel	
-	washer	1	brass	nickel	
-	gasket	1	rubber	red	
-	braid clamp	1	brass	nickel	
-	insulator	1	POM	white	
-	body	1	brass	nickel	
-	body	1	brass	nickel	

NO.	Description	Unit	Materials	Finish	Drawing No.
-----	-------------	------	-----------	--------	-------------

DIMENSIONS ARE IN MILLIMETERS
UNLESS OTHERWISE SPECIFIED TOLERANCES
(一般公差)
0.5~6 = ±0.2
>6~30 = ±0.4
>30~120 = ±0.6
>120~315 = ±1
>315~1000 = ±1.6
ANGLES(角度) = ±5°

CHECKED

DRAWN
Tina
DATE
2012. 01. 12

 雅鈦企業有限公司 Aec Connectors Co., Ltd.	TITLE N FEMALE BULKHEAD CLAMP TYPE FOR RG223/U
	DRAWING NO. NS-1011NDN-SD2325
FILE NO.	DRAWINGARFNS\NS-1011NDN-SD2325

SCALE	2 : 1	UNIT	MM
-------	-------	------	----