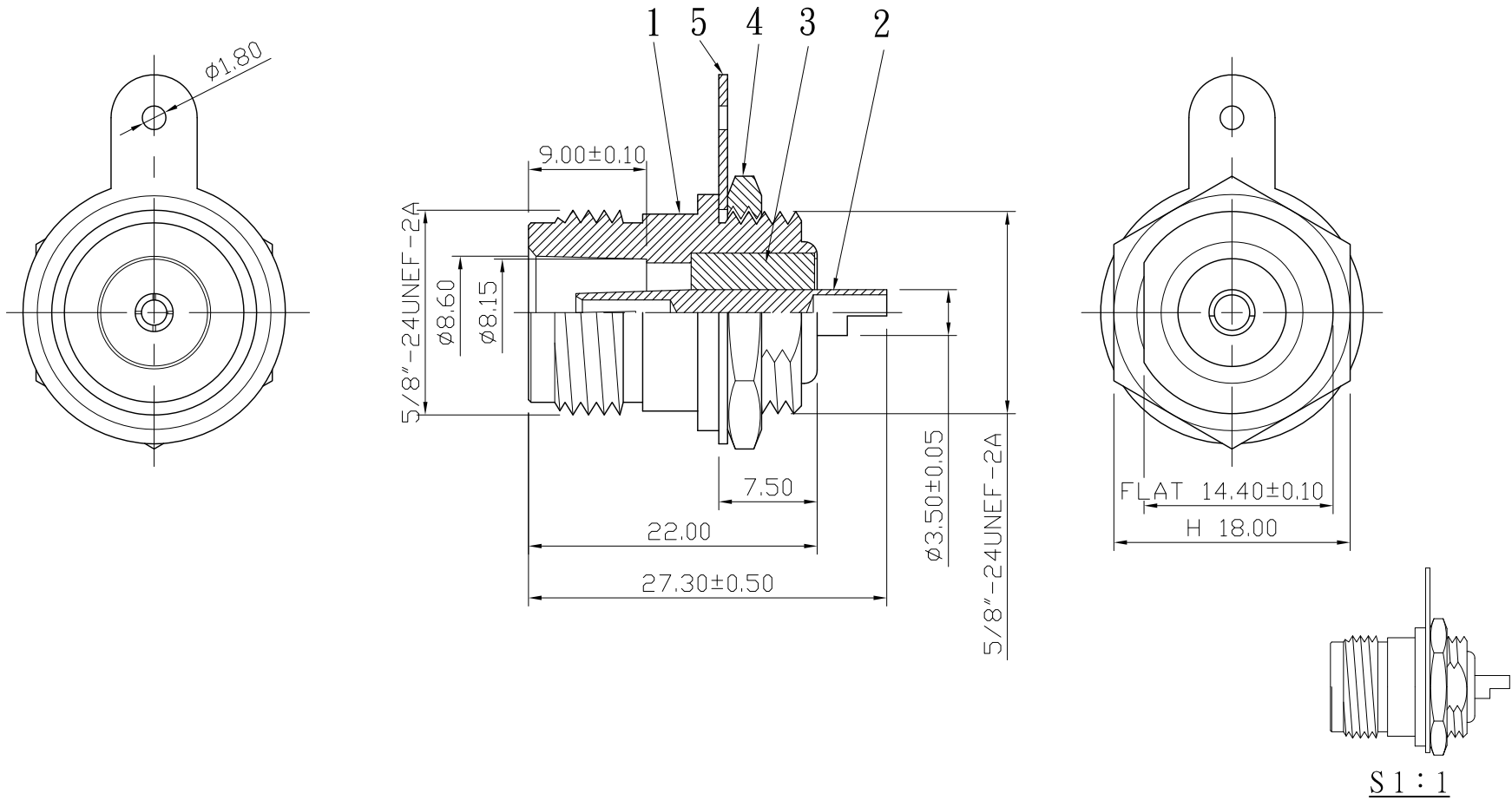



No.	DATE	DESCRIPTION	REV	REMARK : RoHS REQUIREMENT APPLIED (符合RoHS)	DATE	DRAWING NO.
					2011. 06. 08	NS-1012NG-DEL(50)



7						DIMENSIONS ARE IN MILLIMETERS  UNLESS OTHERWISE SPECIFIED TOLERANCES (一般公差) 0.5~6 = ±0.2 >6~30 = ±0.4 >30~120 = ±0.6 >120~315 = ±1 >315~1000 = ±1.6 ANGLES(角度) = ±5°	CHECKED
6							
5	solder tab	1	steel	nickel			
4	nut	1	brass	nickel			
3	insulator	1	delrin	white			
2	contact pin	1	brass	gold			
1	body	1	brass	nickel			
NO.	Description	Unit	Materials	Finish	Drawing No.	SCALE 2 : 1	UNIT MM
						DATE	2008. 07. 02

 <b>雅鈦企業有限公司</b> Aec Connectors Co., Ltd.	
TITLE	
N FEMALE SOLDER TYPE BULKHEAD	
DRAWING NO.	
NS-1012NDG-SB0025	
FILE NO.	DRAWING\FANS\NS-1012NDG-SB0025