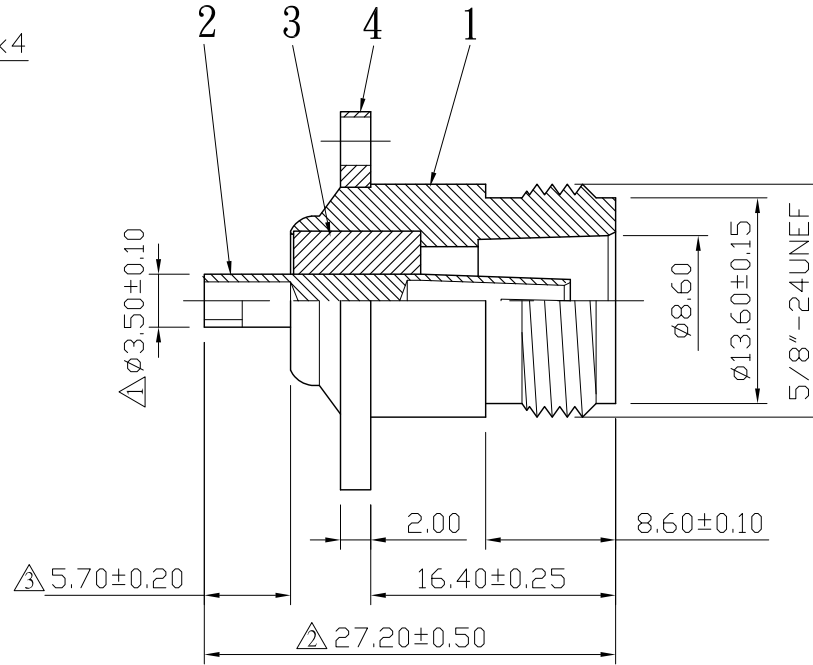
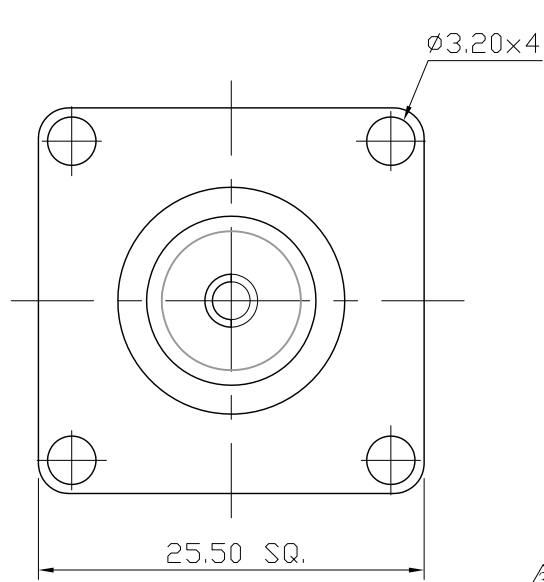
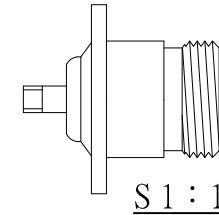


No.	DATE	DESCRIPTION	REV	REMARK : RoHS REQUIREMENT APPLIED (符合RoHS)	DATE	DRAWING NO.
△1	2009. 01. 05	Original dimention □3.50±0.50	A		2008. 08. 19	NS-1014NG-DEL(50)
△2	2009. 09. 30	Original dimention 27.50±0.50	B			
△3	2009. 09. 30	Original dimention 5.80±0.20				



1.THE SPEC OF THE BEVEL WHICH WITHOUT REMARK IS 0.2mmx45°  
(未標註之倒角尺寸為 <0.2mmx45°)

2.TOLERANCE IS ±0.08mm UNLESS OTHER WISE SPECIFIED, TOLERANCE OF THE DIAMETER IS ±0.03mm  
(未標註之公差長度為 ±0.08mm, 直徑為 ±0.03mm)



7						DIMENSIONS ARE IN MILLIMETERS	CHECKED	雅鈦企業有限公司 Aec Connectors Co., Ltd.
6								
5						UNLESS OTRWISE PECIFIED TOLERANCES (一般公差) 0.5~6 = ±0.2 >6~30 = ±0.4 >30~120 = ±0.6 >120~315 = ±1 >315~1000 = ±1.6 ANGLES(角度) = ±5°	DRAWN <i>Lala</i>	TITLE N FEMALE PANEL RECEPTACLE
4	panel	1	brass	nickel				DRAWING NO. NS-1014NDG-SE0025
3	insulator	1	delrin	white				DATE 2008. 05. 29
2	contact pin	1	brass	gold				FILE NO. DRAWING\RFNS\NS-1014NDG-SE0025
1	body	1	brass	nickel				
NO.	Description	Unit	Materials	Finish	Drawing No.	SCALE 2 : 1	UNIT MM	