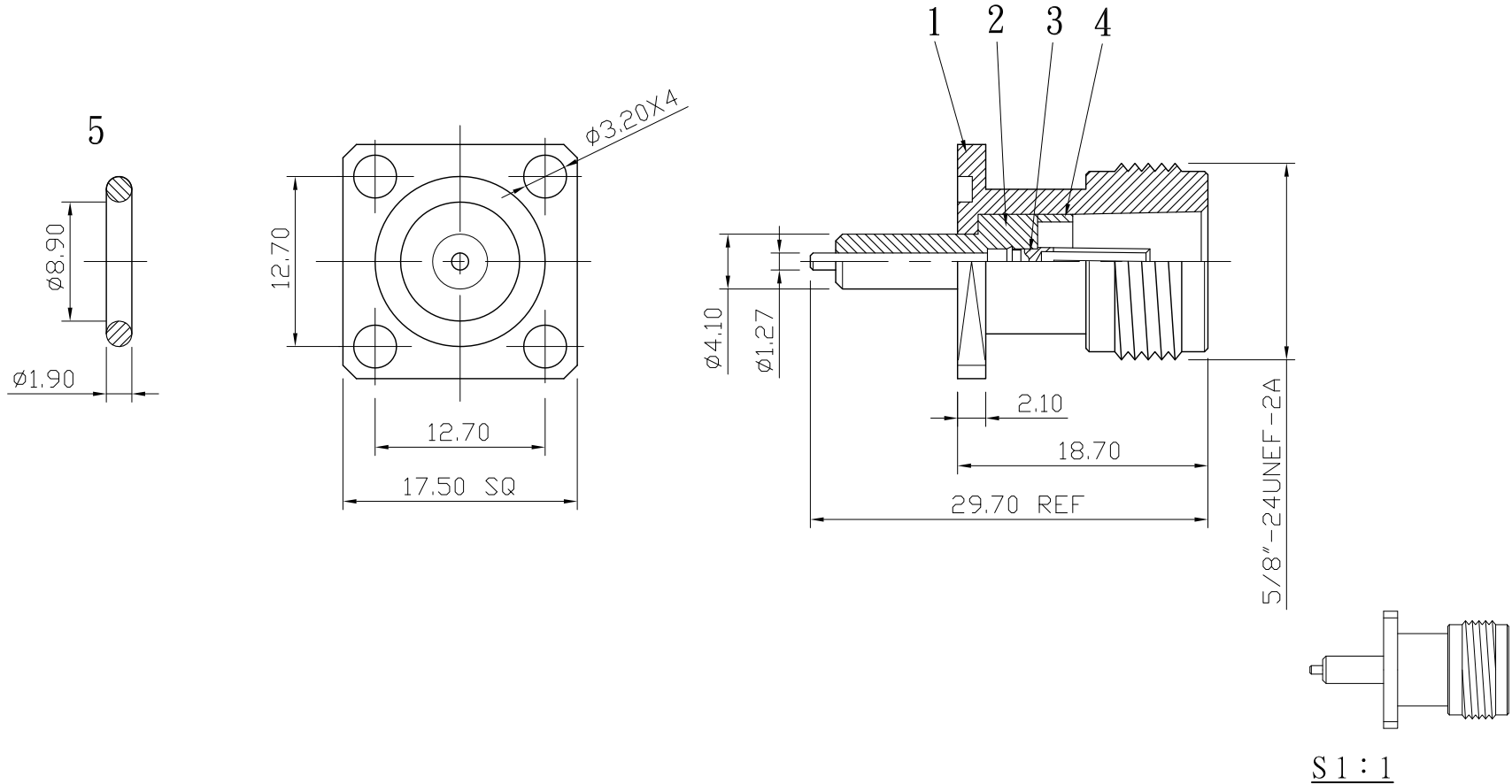



No.	DATE	DESCRIPTION	REV	REMARK : RoHS REQUIREMENT APPLIED (符合RoHS)	DATE	DRAWING NO.
					2008. 07. 15	NS-1016NG(PB)-TEF(50)



7						DIMENSIONS ARE IN MILLIMETERS UNLESS OTHERWISE PECIFIED TOLERANCES (一般公差) 0.5~6 = ±0.2 >6~30 = ±0.4 >30~120 = ±0.6 >120~315 = ±1 >315~1000 = ±1.6 ANGLES(角度) = ±5°	CHECKED	 雅鈦企業有限公司 Aec Connectors Co., Ltd.			
6					DRAWN		TITLE				
5	gasket	1	silicone	black			<i>Lala</i>		N FEMALE PANEL RECEPTACLE		
4	lock ring	1	brass	nickel				DRAWING NO.			
3	contact pin	1	phosphor bronze	gold				NS-1016NTG-SE0025			
2	insulator	1	teflon	white				FILE NO.			
1	body	1	brass	nickel			DRAWINGRFVNSNS-1016NTG-SE0025				
NO.	Description	Unit	Materials	Finish	Drawing No.	SCALE	2 : 1	UNIT	MM	DATE	2008. 01. 14