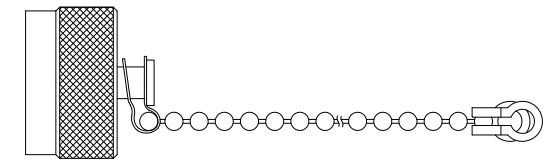
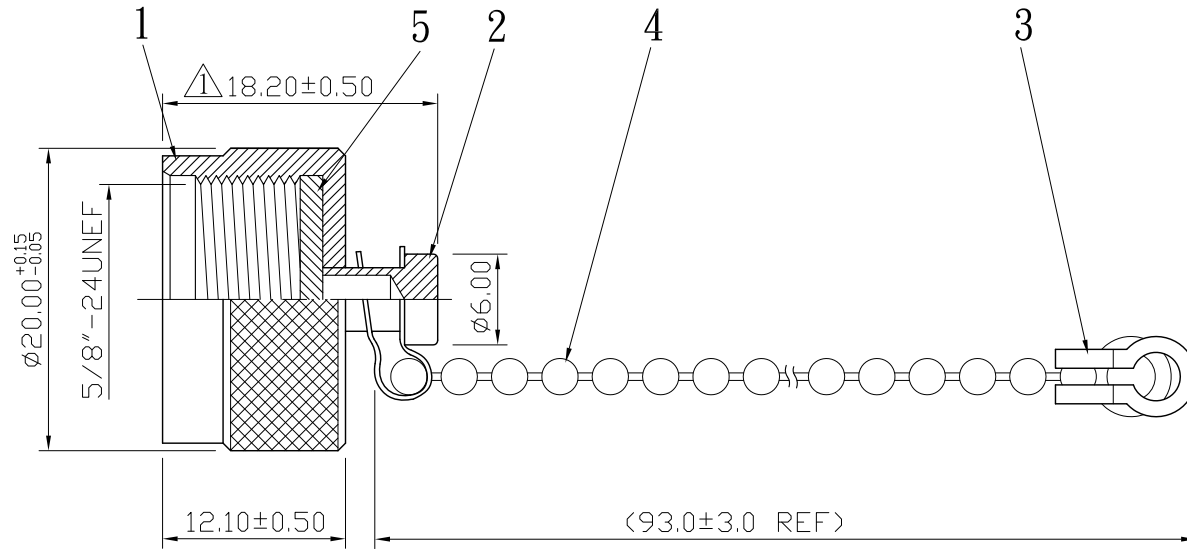



No.	DATE	DESCRIPTION	REV	REMARK : RoHS REQUIREMENT APPLIED (符合RoHS)	DATE	DRAWING NO.
$\triangle$	2009. 10. 13	Original dimation 17.00 $\pm$ 0.50	A			



S 1 : 1

7						DIMENSIONS ARE IN MILLIMETERS  UNLESS OTHERWISE PECIFIED TOLERANCES (一般公差) 0.5~6 = $\pm$ 0.2 >6~30 = $\pm$ 0.4 >30~120 = $\pm$ 0.6 >120~315 = $\pm$ 1 >315~1000 = $\pm$ 1.6 ANGLES(角度) = $\pm$ 5°	CHECKED	 雅鈦企業有限公司 Aec Connectors Co., Ltd.			
6							DRAWN		TITLE		
5	gasket	1	rubber	red			<i>Lala</i>		PROTECTIVE CAP FOR N FEMALE		
4	chain	1	steel	nickel				DRAWING NO.			
3	ring	2	steel	nickel				NS-1017NOO-SO0010			
2	spigot	1	brass	nickel				FILE NO.			
1	body	1	brass	nickel			DRAWING\RFNS\NS-1017NOO-SO0010				
NO.	Description	Unit	Materials	Finish	Drawing No.	SCALE	2 : 1	UNIT	MM	DATE	2009. 09. 15