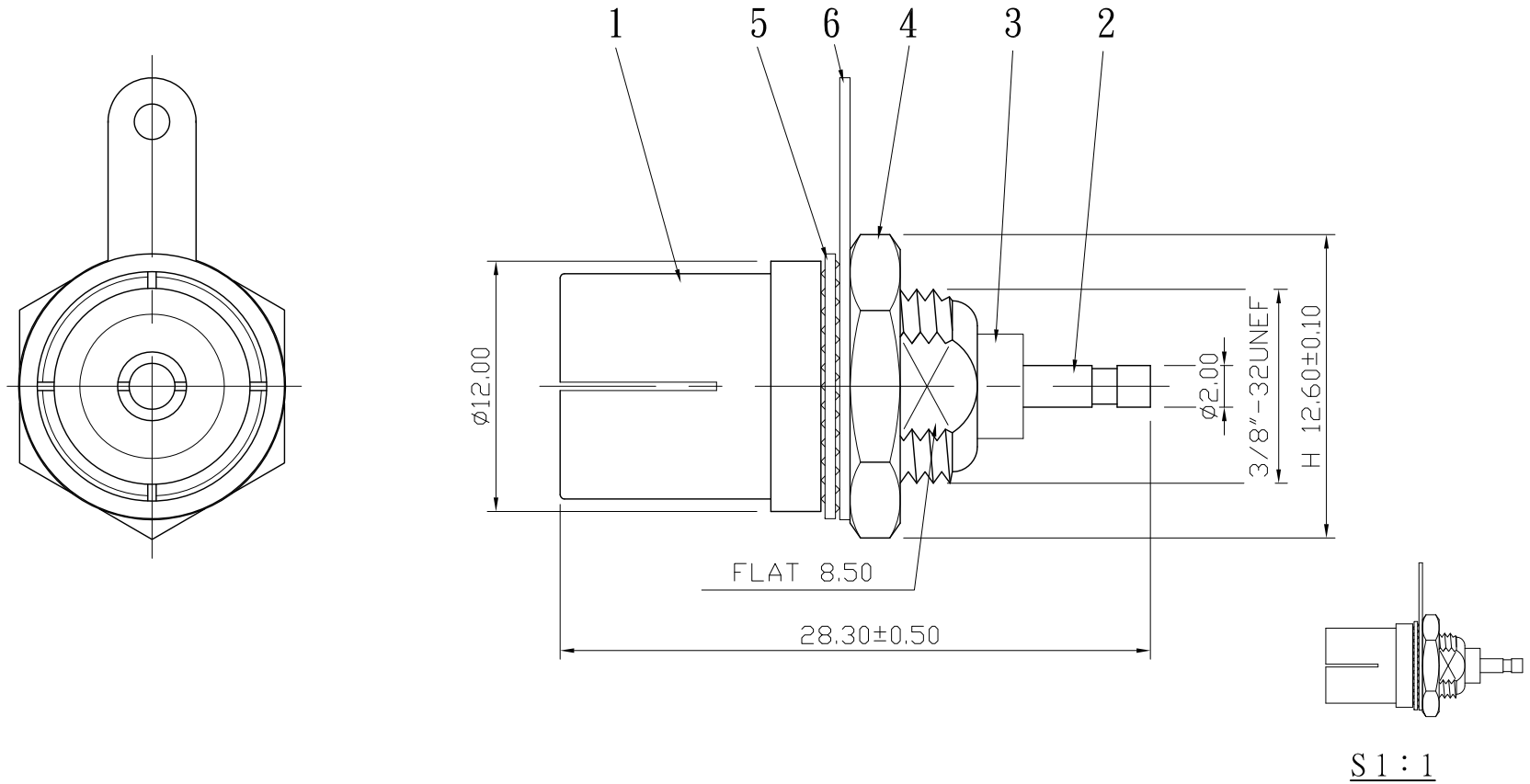



No.	DATE	DESCRIPTION	REV	REMARK : RoHS REQUIREMENT APPLIED (符合RoHS)	DATE	DRAWING NO.
					2008. 07. 03	PL-106NN-DEL(75)



S 1 : 1

7						DIMENSIONS ARE IN MILLIMETERS UNLESS OTHERWISE SPECIFIED TOLERANCES (一般公差) 0.5~6 = ±0.2 >6~30 = ±0.4 >30~120 = ±0.6 >120~315 = ±1 >315~1000 = ±1.6 ANGLES(角度) = ±5°	CHECKED	 雅鈦企業有限公司 Aec Connectors Co., Ltd.	
6	solder tab	1	brass	nickel			DRAWN		TITLE
5	washer	1	brass	nickel			<i>Lala</i>		PAL FEMALE BULKHEAD
4	nut	1	brass	nickel				DATE	DRAWING NO.
3	insulator	1	delrin	white				2008. 06. 26	PL-1006NDN-SB0027
2	contact pin	1	brass	nickel					FILE NO.
1	body	1	brass	nickel					DRAWINGARF\PL\PL-1006NDN-SB0027
NO.	Description	Unit	Materials	Finish	Drawing No.	SCALE	3 : 1	UNIT	MM