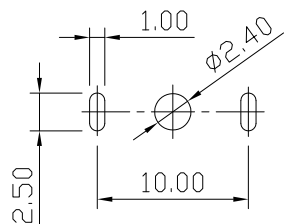
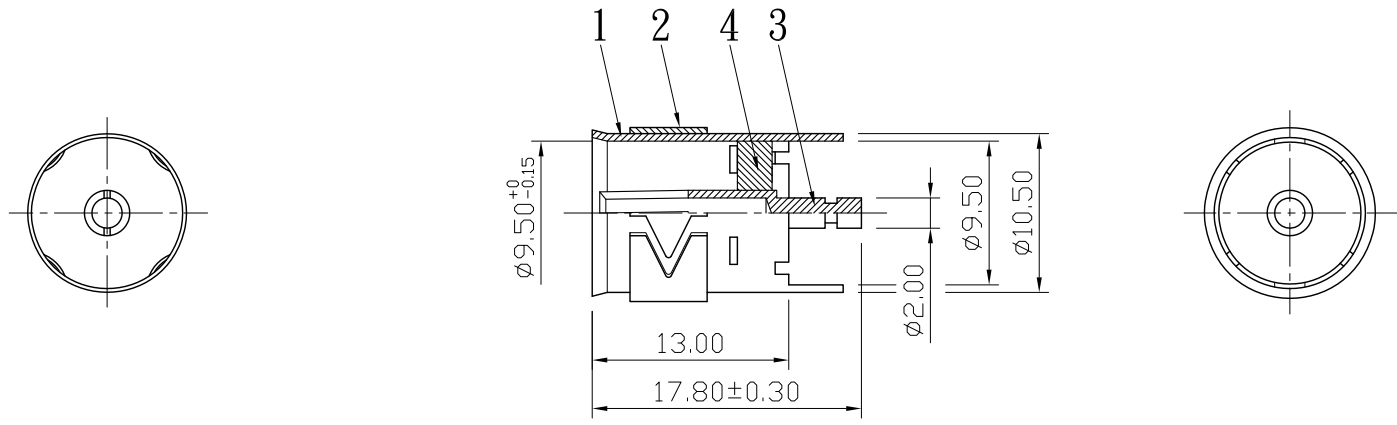
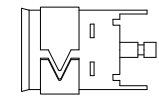



No.	DATE	DESCRIPTION	REV	REMARK : RoHS REQUIREMENT APPLIED (符合RoHS)	DATE	DRAWING NO.
					2009. 12. 02	PL-107N(Fe)N-GF(75)



P.C.B. LAYOUT  
(印刷电路板配置)



S 1 : 1

7						DIMENSIONS ARE IN MILLIMETERS UNLESS OTHERWISE SPECIFIED TOLERANCES (一般公差) 0.5~6 = ±0.2 >6~30 = ±0.4 >30~120 = ±0.6 >120~315 = ±1 >315~1000 = ±1.6 ANGLES(角度) = ±5°	CHECKED	 <b>雅鈦企業有限公司</b> Aec Connectors Co., Ltd.	
6									
5							DRAWN <i>Lala</i>	TITLE PAL FEMALE PCB MOUNT	
4	insulator	1	glass fiber	white				DATE 2007. 12. 06	DRAWING NO. PL-1007NGN-SA0027
3	contact pin	1	brass	nickel				FILE NO. DRAWINGR\FPL\PL-1007NGN-SA0027	
2	spring	1	metal	nickel					
1	body	1	metal	nickel					
NO.	Description	Unit	Materials	Finish	Drawing No.	SCALE	2 : 1	UNIT	MM