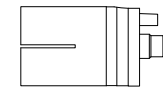
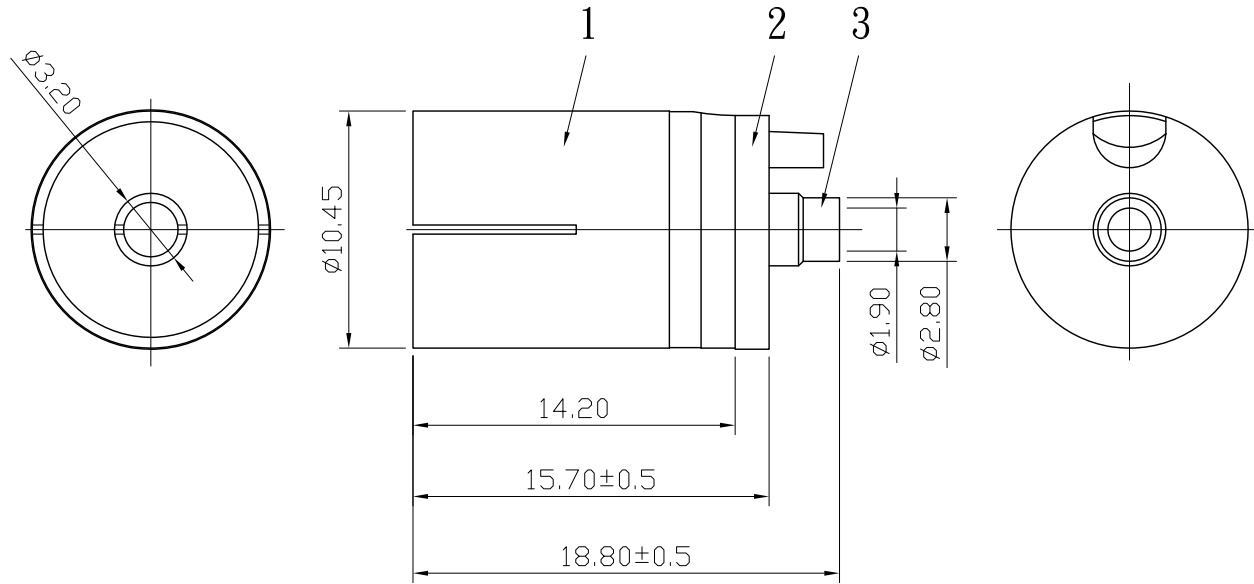



No.	DATE	DESCRIPTION	REV	REMARK : RoHS REQUIREMENT APPLIED (符合RoHS)	DATE	DRAWING NO.
-----	------	-------------	-----	---	------	-------------



S 1 : 1

-						DIMENSIONS ARE IN MILLIMETERS UNLESS OTHERWISE SPECIFIED TOLERANCES (一般公差) 0.5~6 = ±0.2 >6~30 = ±0.4 >30~120 = ±0.6 >120~315 = ±1 >315~1000 = ±1.6 ANGLES(角度) = ±5°	CHECKED	 雅鈦企業有限公司 Aec Connectors Co., Ltd.	
-					DRAWN		TITLE		
-					<i>Chad</i>		PAL STRAIGHT JACK SOLDER		
3	contact pin	1	brass	nickel			DATE	DRAWING NO.	
2	insulator	1	POM	white			2014. 11. 26	PL-1010NDN-SF0027	
1	body	1	brass	nickel			FILE NO. DRAWING\RF\PL\PL-1010NDN-SF0027		
NO.	Description	Unit	Materials	Finish	Drawing No.	SCALE	3 : 1	UNIT	MM