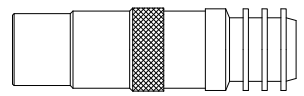
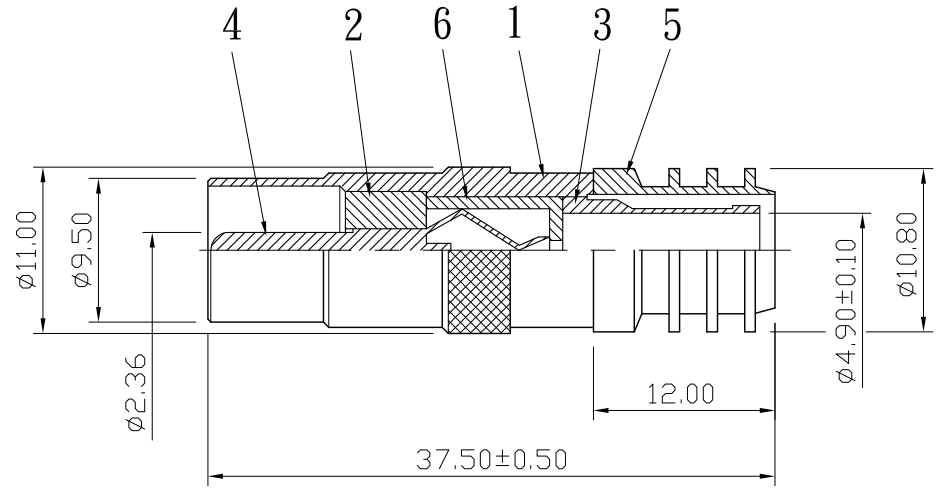



No.	DATE	DESCRIPTION	REV	REMARK : RoHS REQUIREMENT APPLIED (符合RoHS)	DATE	DRAWING NO.
-----	------	-------------	-----	---	------	-------------



S 1 : 1

7						DIMENSIONS ARE IN MILLIMETERS UNLESS OTHERWISE PECIFIED TOLERANCES (一般公差) 0.5~6 = ±0.2 >6~30 = ±0.4 >30~120 = ±0.6 >120~315 = ±1 >315~1000 = ±1.6 ANGLES(角度) = ±5°	CHECKED	 雅鈦企業有限公司 Aec Connectors Co., Ltd.	
6	insulator	1	POM	white			DRAWN <i>Chad</i>		TITLE PAL MALE W/ATTACHED CRIMP RING FOR RG6/U
5	ferrule	1	brass	nickel					DATE 2009.08.13
4	contact pin	1	brass	nickel				FILE NO. DRAWING\RF\PL\PL-1014NDN-SC2617	
3	mandril	1	brass	nickel					
2	insulator	1	POM	white					
1	body	1	brass	nickel					
NO.	Description	Unit	Materials	Finish	Drawing No.	SCALE 2 : 1	UNIT MM		