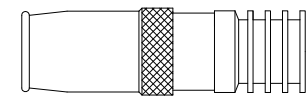
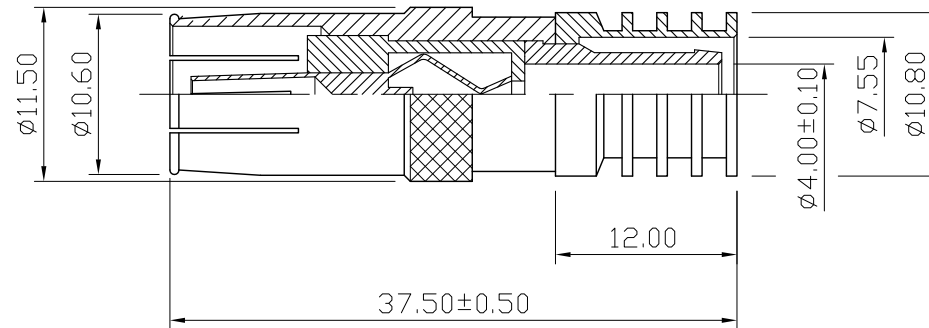



REMARK : RoHS REQUIREMENT APPLIED
(符合RoHS)



S 1 : 1

-						DIMENSIONS ARE IN MILLIMETERS UNLESS OTHERWISE SPECIFIED TOLERANCES (一般公差) 0.5~6 = ±0.2 >6~30 = ±0.4 >30~120 = ±0.6 >120~315 = ±1 >315~1000 = ±1.6 ANGLES(角度) = ±5°	CHECKED	 雅鈦企業有限公司 Aec Connectors Co., Ltd.	
-	ferrule	1	brass	nickel			DRAWN		TITLE
-	contact pin	1	brass	nickel			<i>Jim</i>	PAL FEMALE W/ATTACHED CRIMP RING 59/U	
-	mandril	1	brass	nickel			DATE	DRAWING NO.	
-	insulator	1	delrin	white			2011. 05. 31	PL-1015NDN-SC1227	
-	body	1	brass	nickel				FILE NO. DRAWING\RF\PL\PL-1015NDN-SC1227	
NO.	Description	Unit	Materials	Finish	Drawing No.	SCALE	2 : 1	UNIT	MM