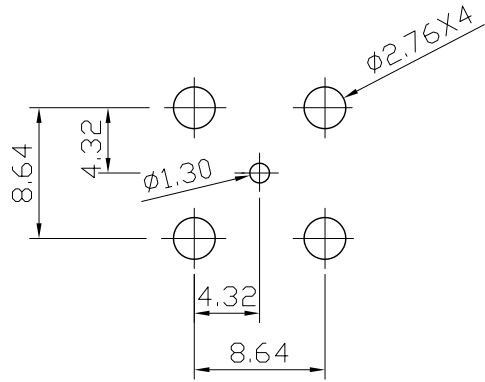
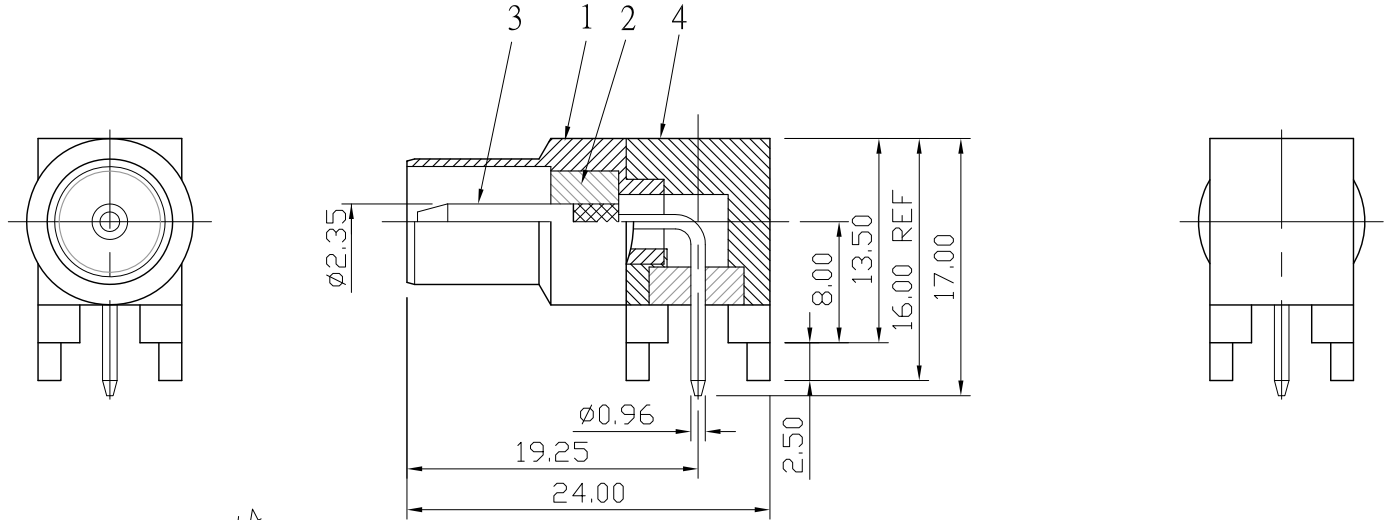
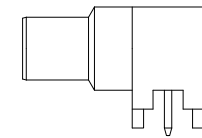
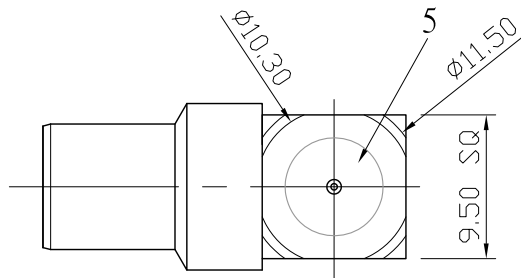



No.	DATE	DESCRIPTION	REV	REMARK : RoHS REQUIREMENT APPLIED (符合RoHS)	DATE	DRAWING NO.
					2008. 12. 31	PL-129NN-DEL(75)



P.C.B LAYOUT
(印刷电路板配置)



S 1 : 1

						DIMENSIONS ARE IN MILLIMETERS			CHECKED	 雅鈦企業有限公司 Aec Connectors Co., Ltd.
						UNLESS OTHERWISE SPECIFIED TOLERANCES (一般公差)			DRAWN <i>Jim</i>	
5	insulator	1	POM	white		0.5~6 = ±0.2				
4	cube body	1	brass	nickel		>6~30 = ±0.4				
3	contact pin	1	brass	nickel		>30~120 = ±0.6				
2	insulator	1	POM	white		>120~315 = ±1			DATE	
1	body	1	brass	nickel		>315~1000 = ±1.6			2007. 09. 11	
NO.	Description	Unit	Materials	Finish	Drawing No.	SCALE	2 : 1	UNIT	MM	TITLE
										PAL R/A P.C.B MOUNT PLUG
										DRAWING NO.
										PL-1016NDN-RA0017
										FILE NO.
										DRAWINGRFP/PL-1016NDN-RA0017