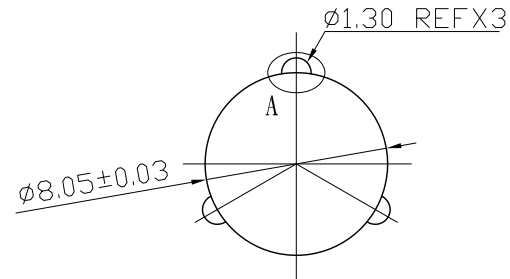
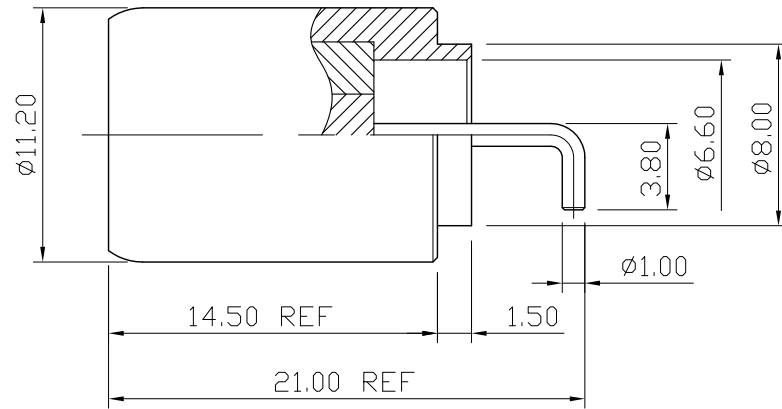
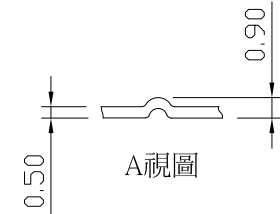



No.	DATE	DESCRIPTION	REV	REMARK : RoHS REQUIREMENT APPLIED (符合RoHS)	DATE	DRAWING NO.
-----	------	-------------	-----	-----------------------------------------------	------	-------------



RECOMMENDED PANEL LAYOUT
(建議平板配置)



S 1 : 1

-					DIMENSIONS ARE IN MILLIMETERS UNLESS OTHERWISE SPECIFIED TOLERANCES (一般公差) 0.5~6 = ±0.2 >6~30 = ±0.4 >30~120 = ±0.6 >120~315 = ±1 >315~1000 = ±1.6 ANGLES(角度) = ±5°	CHECKED	 雅鈦企業有限公司 Aec Connectors Co., Ltd.		
-	spring	1	brass	nickel		DRAWN <i>Chad</i>		TITLE PAL FEMALE BULKHEAD	
-	insulator	1	POM	white				DATE 2008. 09. 23	DRAWING NO. PL-1018TDT-RB0027
-	contact pin	1	phosphor bronze	tin			FILE NO.	DRAWING\RF\PL\PL-1018TDT-RB0027	
-	body	1	brass	tin					
NO.	Description	Unit	Materials	Finish		Drawing No.	SCALE	3 : 1	UNIT