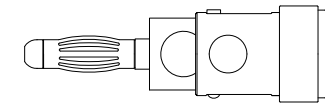
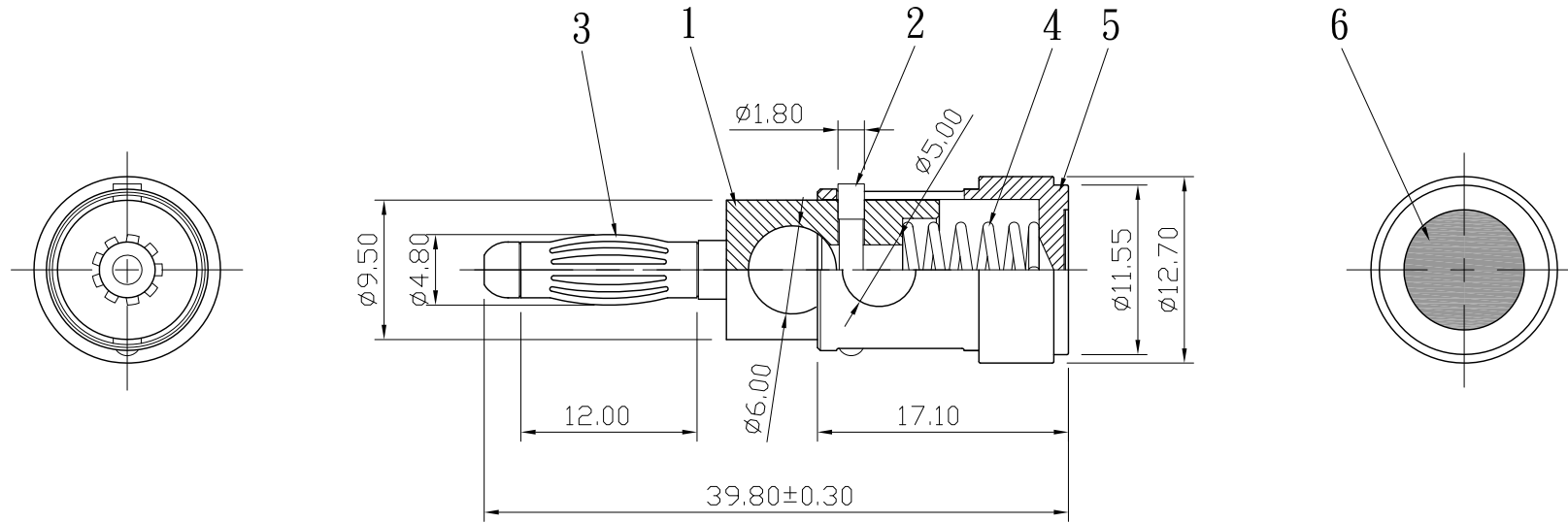



REMARK : RoHS REQUIREMENT APPLIED
(符合RoHS)



S 1 : 1

NO.	Description	Unit	Materials	Finish	Drawing No.	SCALE	2 : 1	UNIT	MM	CHECKED	DATE	FILE NO.			
7						DIMENSIONS ARE IN MILLIMETERS UNLESS OTHERWISE PECIFIED TOLERANCES (一般公差) 0.5~6 = ±0.2 >6~30 = ±0.4 >30~120 = ±0.6 >120~315 = ±1 >315~1000 = ±1.6 ANGLES(角度) = ±5°									
6	sticker	1	pvc	red/black											
5	shell	1	brass	gold											
4	spring	1	steel (SWB)	nickel											
3	contact pin	1	beryllium copper	gold											
2	cleat	1	brass	gold											
1	body	1	brass	gold											
											 雅鈦企業有限公司 Aec Connectors Co., Ltd.				
											TITLE		PUSH TERMINAL		
											DRAWING NO.		PT-102GG(BeCu)-BK/RD		
											DATE		2009. 04. 16		
											FILE NO.		DRAWINGAUDIO\PT\PT-102GG(BeCu)-BK/RD		