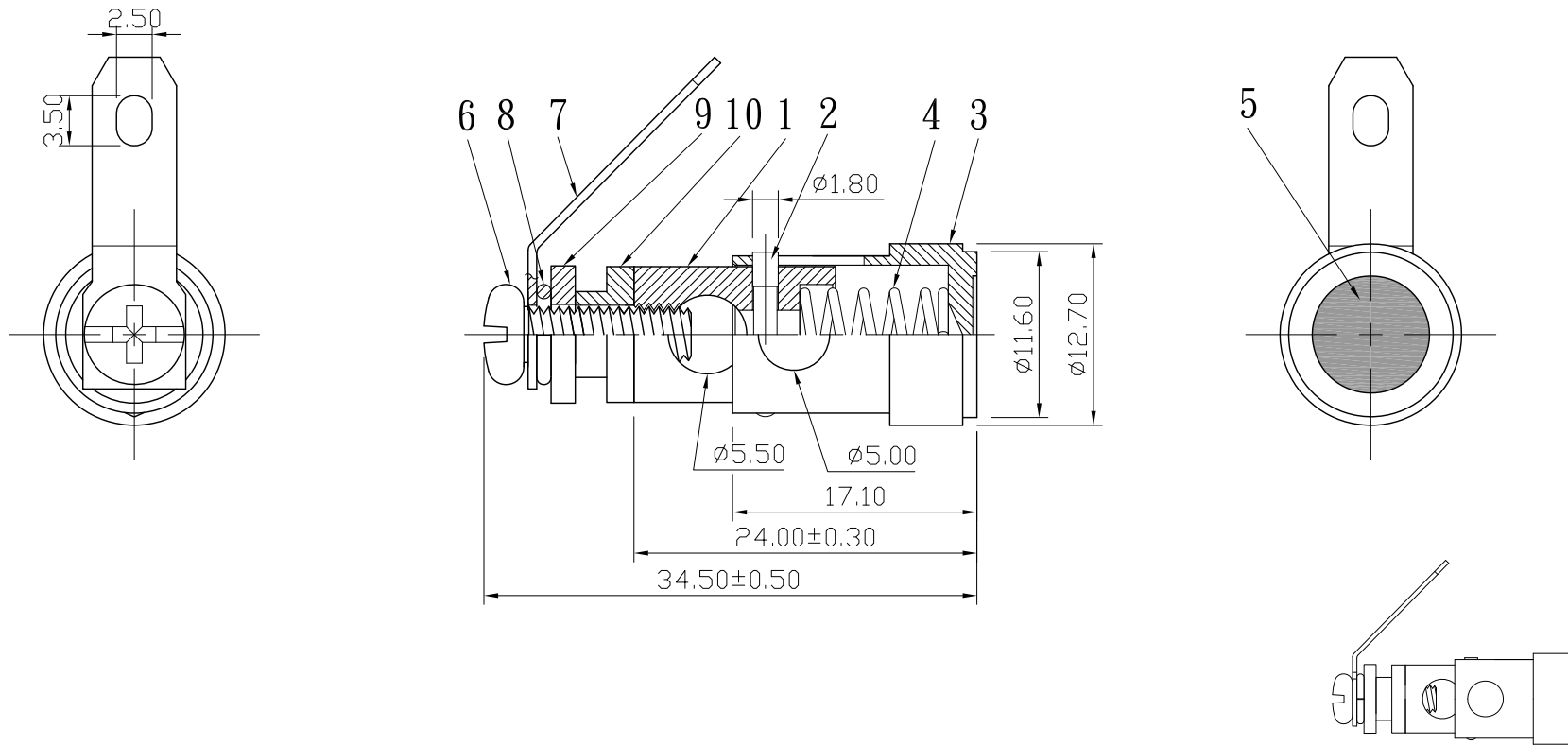


REMARK : RoHS REQUIREMENT APPLIED
(符合RoHS)



S 1 : 1

10	washer	1	plastic	black	
9	washer	1	plastic	white	
8	C ring	1	brass	gold	
7	solder tab	1	bronze	gold	
6	screw	1	iron	gold	
5	sticker	1	PVC	red/black	
4	spring	1	steel (SWB)	nickel	
3	shell	1	brass	gold	
2	cleat	1	brass	gold	
1	body	1	brass	gold	
NO.	Description	Unit	Materials	Finish	Drawing No.

DIMENSIONS ARE IN
MILLIMETERS
UNLESS OTHERWISE PECIFIED
TOLERANCES
(一般公差)
0.5~6 = ±0.2
>6~30 = ±0.4
>30~120 = ±0.6
>120~315 = ±1
>315~1000 = ±1.6
ANGLES(角度) = ±5°

CHECKED

DRAWN

Chad

DATE

2008. 02. 05



雅鈦企業有限公司
Aec Connectors Co., Ltd.

TITLE

PUSH TERMINAL

DRAWING NO.

PT-105GG-RD/BK

FILE NO.

DRAWING\AUDIO\PT\PT-105GG-RD/BK

SCALE

2 : 1

UNIT

MM