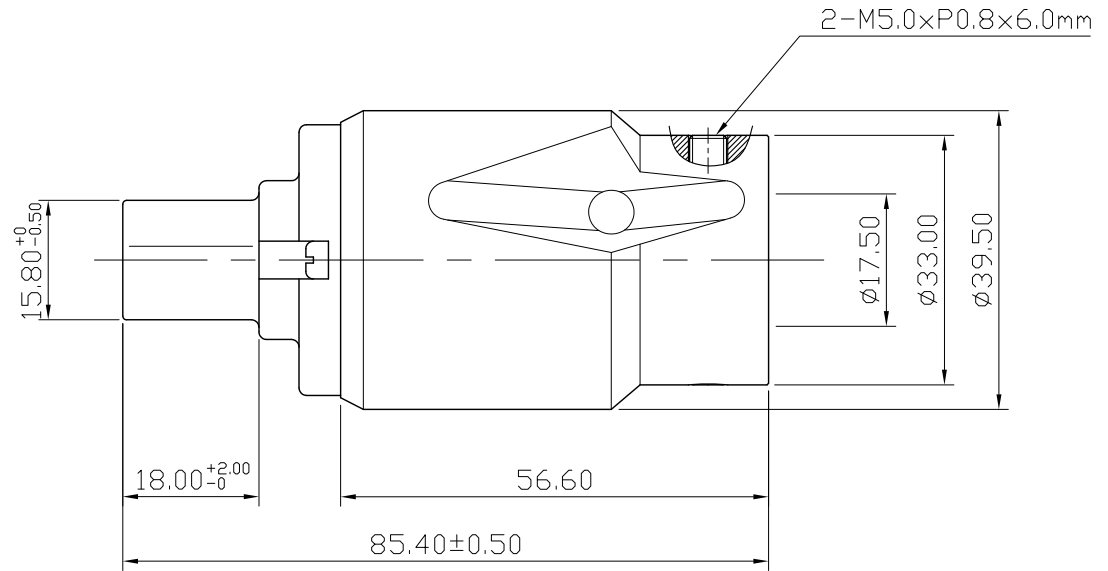
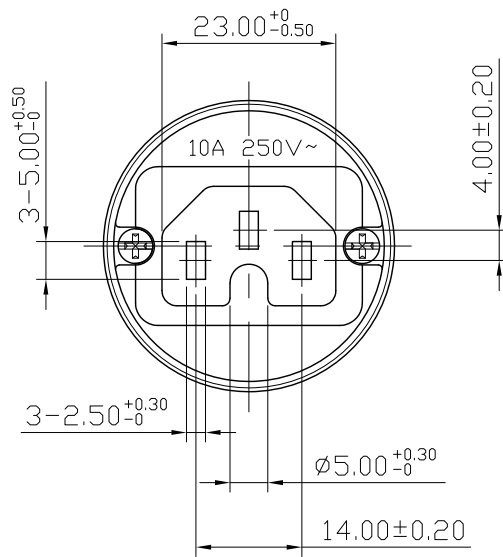



REMARK : RoHS REQUIREMENT APPLIED
(符合RoHS)



-						DIMENSIONS ARE IN MILLIMETERS UNLESS OTHERWISE PECIFIED TOLERANCES (一般公差) 0.5~6 = ±0.2 >6~30 = ±0.4 >30~120 = ±0.6 >120~315 = ±1 >315~1000 = ±1.6 ANGLES(角度) = ±5°	CHECKED	 雅鈦企業有限公司 Aec Connectors Co., Ltd.	
-					DRAWN <i>Jim</i>				TITLE POWER CONNECTOR
-	gasket	2	POM	black					DATE 2010.06.09
-	screw	2	brass	nickel	SCREW-205N-M5XP0.8X6.0mm			FILE NO. DRAWING\AUDIO\PC\PC-I303ALN-17.5	
-	shell	1	aluminum	clear anodic treatment					
-	contact pin	3	brass	nickel					
-	body	1	plastic	black					
NO.	Description	Unit	Materials	Finish	Drawing No.	SCALE	1 : 1	UNIT	MM